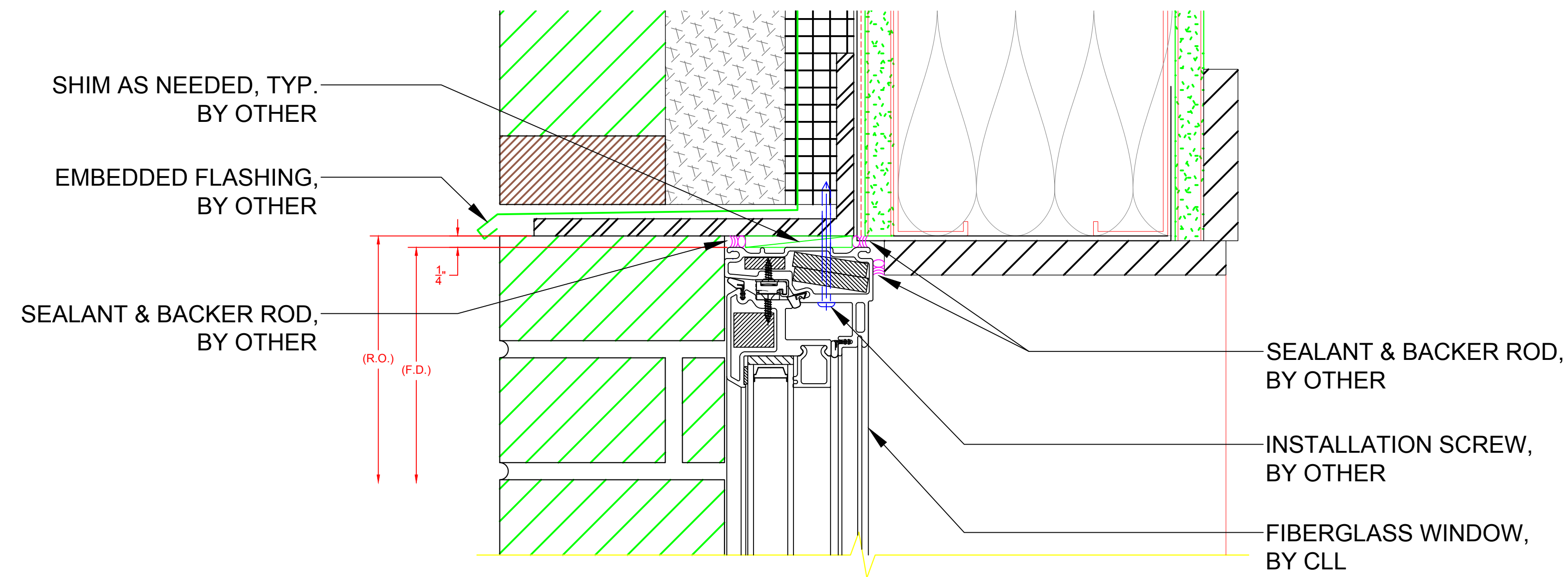


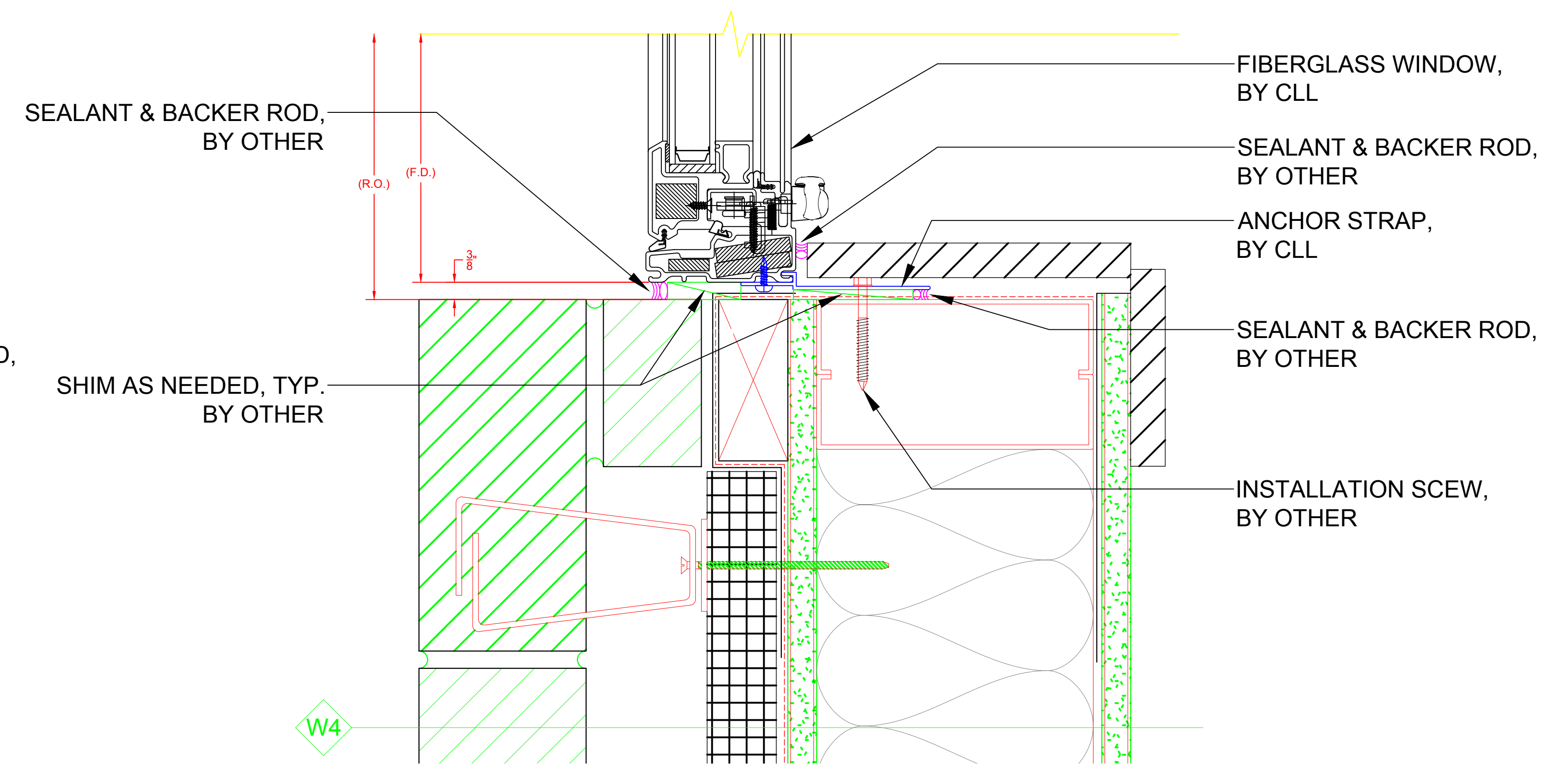
2100 SERIES AWNING

(INSTALLATION METHODS)



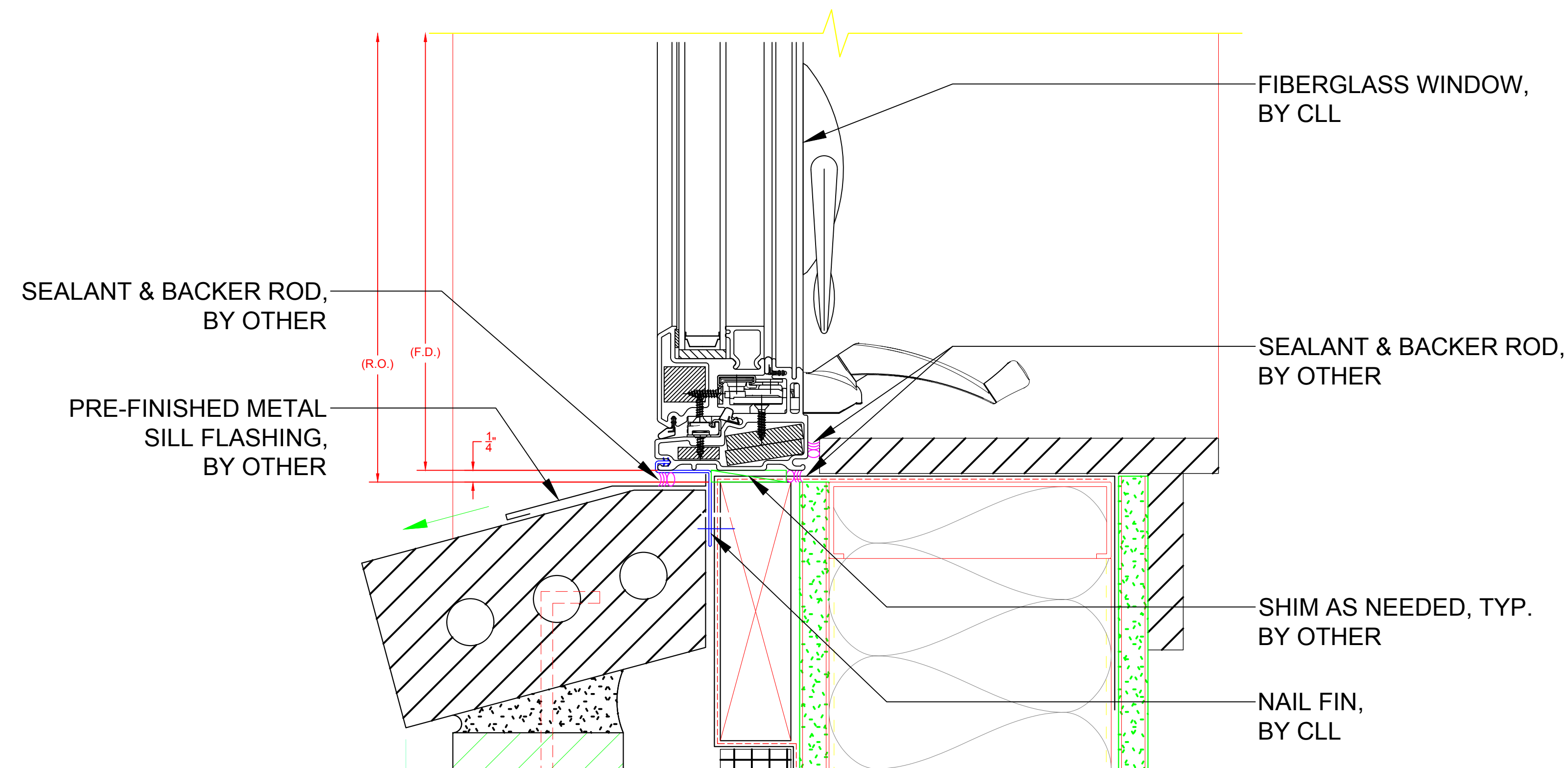
HEAD DETAIL - 2100 AWNING WINDOW (W/ INSTALL THROUGH FRAME)

H1



JAMB DETAIL - 2100 AWNING WINDOW (W/ ANCHOR STRAP)

J1




SILL DETAIL - 2100 AWNING WINDOW (W/ RIGID NAIL FIN)

S1

*** NOTE:**

- ALL DRAWINGS ARE FOR REFERENCE PURPOSES ONLY
- ACTUAL INSTALLATION, FASTENERS, ETC. MAY VARY
- AVB & SEALANT BY OTHER, PER LOCAL & INTERNATIONAL BUILDING CODES
- ALL INSTALLATION SCREWS GOING INTO R.O. ARE BY OTHER
- ALL SHIMS ARE BY OTHER

SEE PRODUCT SPECIFICATIONS PAGE FOR COMPLETE PRODUCT DESCRIPTION.

SERIES/CONFIGURATION:		 FiberFrame™ Comfort Line® <small>FIBERGLASS WINDOWS, PATIO DOORS, SUNROOMS & STOREFRONT</small>		COMFORT LINE LTD.	
2100 SERIES AWNING				5500 ENTERPRISE BLVD. TOLEDO, OH 43612 419-729-8520	
DRAWING TYPE:		THIS DRAWING IS THE PROPERTY OF COMFORT LINE LTD. DESIGN CONCEPTS AND INFORMATION MAY NOT BE REPRODUCED USED OR DISCLOSED WITHOUT THE WRITTEN PERMISSION OF COMFORT LINE LTD.			
INSTALLATION EXAMPLES					
		PROJECT:		2100 AWNING	
		SCALE:		6" = 1' - 0"	
		DATE:		2/13/17	
DATE		REVISION	BY	QUOTE:	####
		DRAWN BY:		AJL	
				SHEET: AW5	