

STRAP ANCHOR

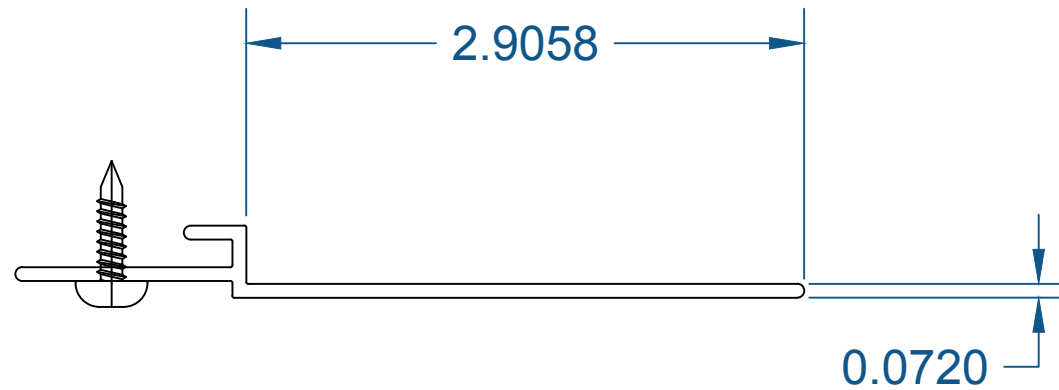
(ACCESSORY PROFILE)

COMPATIBLE WINDOW OPTIONS:

2100 SERIES WINDOWS

6500 SERIES WINDOWS

8000 SERIES WINDOWS




STRAP ANCHOR

PART #: A085103_06

MATERIAL: ALUMINUM

SEE PRODUCT SPECIFICATIONS PAGE FOR COMPLETE PRODUCT DESCRIPTION.

SERIES/CONFIGURATION: STRAP ANCHOR		 FiberFrame™ Comfort Line® <small>FIBERGLASS WINDOWS, PATIO DOORS, SUNROOMS & STOREFRONT</small>	COMFORT LINE LTD. 5500 ENTERPRISE BLVD. TOLEDO, OH 43612 419-729-8520	
DRAWING TYPE: ACCESSORY PROFILE			THIS DRAWING IS THE PROPERTY OF COMFORT LINE LTD. DESIGN CONCEPTS AND INFORMATION MAY NOT BE REPRODUCED USED OR DISCLOSED WITHOUT THE WRITTEN PERMISSION OF COMFORT LINE LTD.	
			PROJECT:	STRAP ANCHOR
		SCALE:	1' - 0" = 1' - 0"	
		DATE:	2/13/17	
DATE	REVISION	BY	DRAWN BY:	AJL
			QUOTE:	####
			SHEET:	AC1

RIGID NAIL FIN

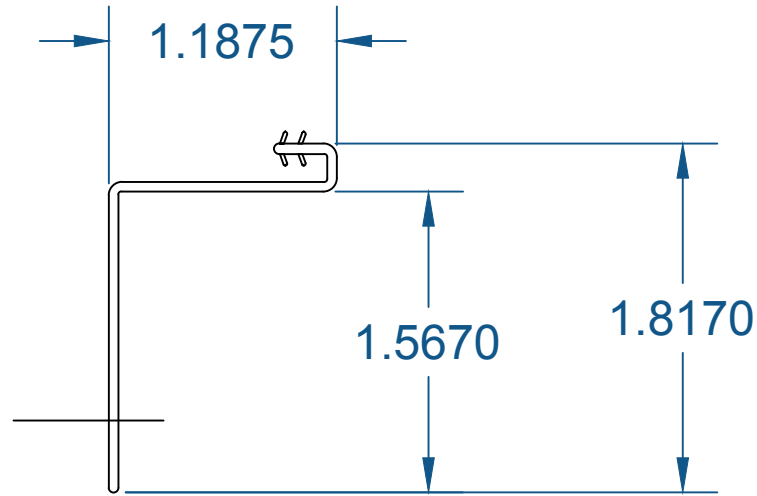
(ACCESSORY PROFILE)

COMPATIBLE WINDOW OPTIONS:

2100 SERIES WINDOWS


6500 SERIES WINDOWS

8000 SERIES WINDOWS



RIGID NAIL FIN
PART #: 471_02
MATERIAL: VINYL

SEE PRODUCT SPECIFICATIONS PAGE FOR COMPLETE PRODUCT DESCRIPTION.

SERIES/CONFIGURATION: RIGID NAIL FIN		 FiberFrame™ Comfort Line® <small>FIBERGLASS WINDOWS, PATIO DOORS, SUNROOMS & STOREFRONT</small>	COMFORT LINE LTD. 5500 ENTERPRISE BLVD. TOLEDO, OH 43612 419-729-8520	
DRAWING TYPE: ACCESSORY PROFILE			THIS DRAWING IS THE PROPERTY OF COMFORT LINE LTD. DESIGN CONCEPTS AND INFORMATION MAY NOT BE REPRODUCED USED OR DISCLOSED WITHOUT THE WRITTEN PERMISSION OF COMFORT LINE LTD.	
		PROJECT: RIGID NAIL FIN		
		SCALE: 1' - 0" = 1' - 0"	QUOTE: ####	SHEET: AC2
DATE	REVISION	BY	DRAWN BY: AJL	

Z - CLIP (STRAP ANCHOR)

(ACCESSORY PROFILE)

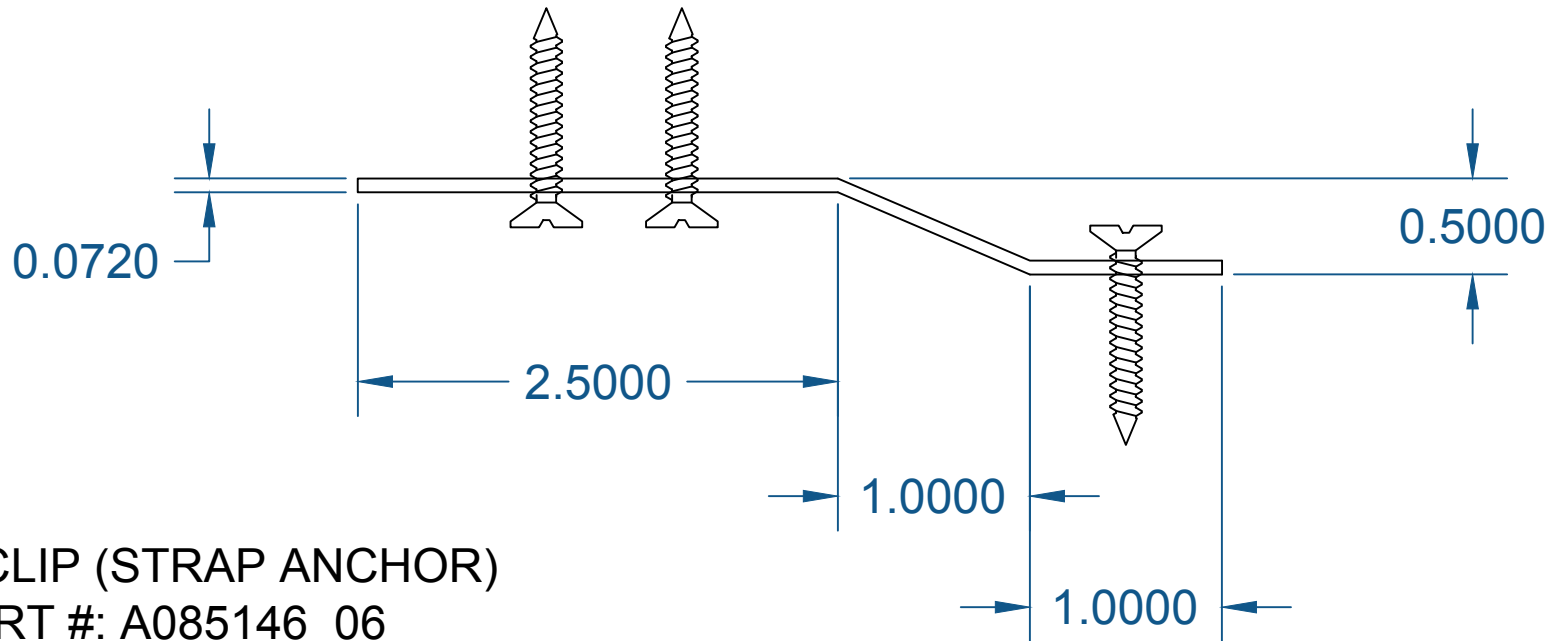
COMPATIBLE WINDOW OPTIONS:

2100 SERIES WINDOWS

6500 SERIES WINDOWS

8000 SERIES WINDOWS

3000 SERIES STOREFRONT




Z-CLIP (STRAP ANCHOR)

PART #: A085146_06

MATERIAL: ALUMINUM

SEE PRODUCT SPECIFICATIONS PAGE FOR COMPLETE PRODUCT DESCRIPTION.

SERIES/CONFIGURATION: Z - CLIP (STRAP ANCHOR)		 FiberFrame™ Comfort Line® <small>FIBERGLASS WINDOWS, PATIO DOORS, SUNROOMS & STOREFRONT</small>	COMFORT LINE LTD. 5500 ENTERPRISE BLVD. TOLEDO, OH 43612 419-729-8520	
DRAWING TYPE: ACCESSORY PROFILE			THIS DRAWING IS THE PROPERTY OF COMFORT LINE LTD. DESIGN CONCEPTS AND INFORMATION MAY NOT BE REPRODUCED USED OR DISCLOSED WITHOUT THE WRITTEN PERMISSION OF COMFORT LINE LTD.	
		PROJECT: Z - CLIP (STRAP ANCHOR)		
		SCALE: 1' - 0" = 1' - 0"	QUOTE: ####	SHEET: AC3
DATE	REVISION	BY	DRAWN BY: AJL	

Z - CLIP (ANGLE)

(ACCESSORY PROFILE)

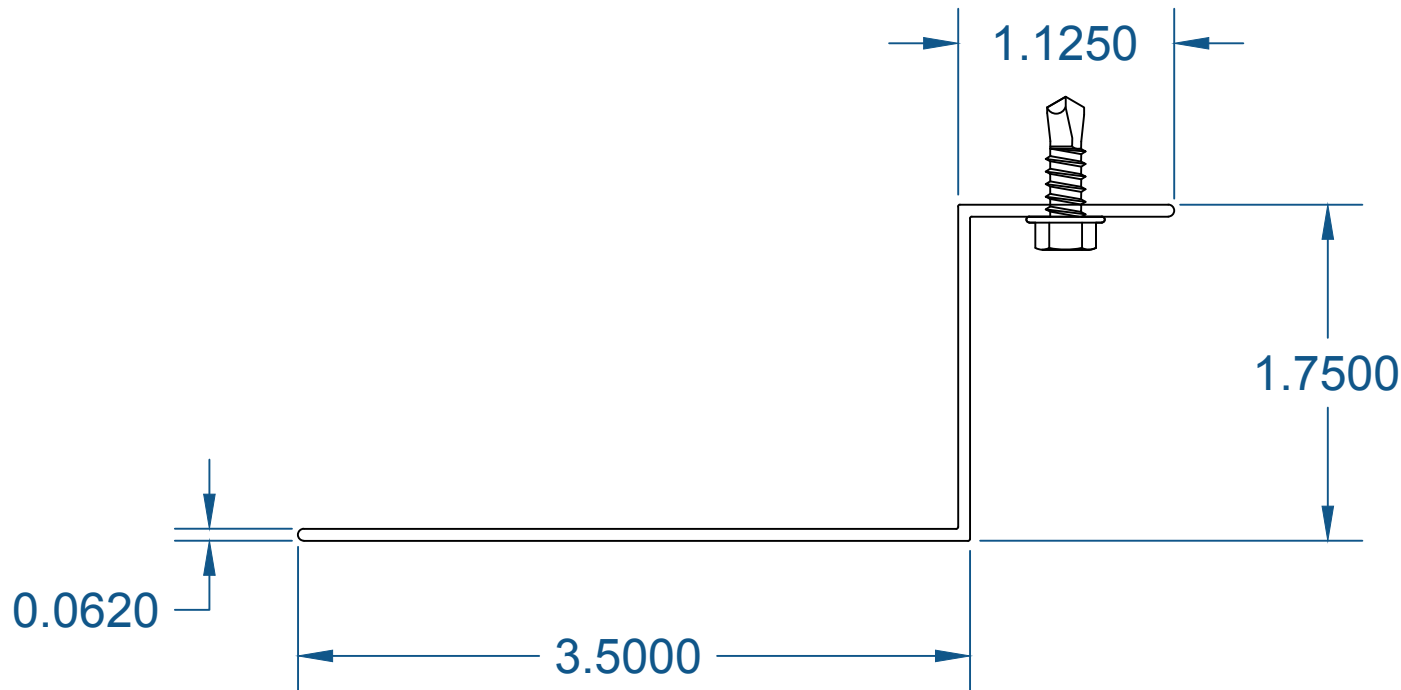
COMPATIBLE WINDOW OPTIONS:

2100 SERIES WINDOWS

6500 SERIES WINDOWS

8000 SERIES WINDOWS

3000 SERIES STOREFRONT




Z-CLIP (ANGLE)

PART #: A085106_06

MATERIAL: ALUMINUM

SEE PRODUCT SPECIFICATIONS PAGE FOR COMPLETE PRODUCT DESCRIPTION.

SERIES/CONFIGURATION: Z - CLIP (ANGLE)			 COMFORT LINE LTD. 5500 ENTERPRISE BLVD. TOLEDO, OH 43612 419-729-8520
DRAWING TYPE: ACCESSORY PROFILE			
			THIS DRAWING IS THE PROPERTY OF COMFORT LINE LTD. DESIGN CONCEPTS AND INFORMATION MAY NOT BE REPRODUCED USED OR DISCLOSED WITHOUT THE WRITTEN PERMISSION OF COMFORT LINE LTD.
			PROJECT: Z - CLIP (ANGLE)
			SCALE: 1' - 0" = 1' - 0"
			DATE: 2/13/17
DATE	REVISION	BY	DRAWN BY: AJL
			QUOTE: ####
			SHEET: AC4

3/4" x 1-1/2" TRIM & CLIP

(ACCESSORY PROFILE)

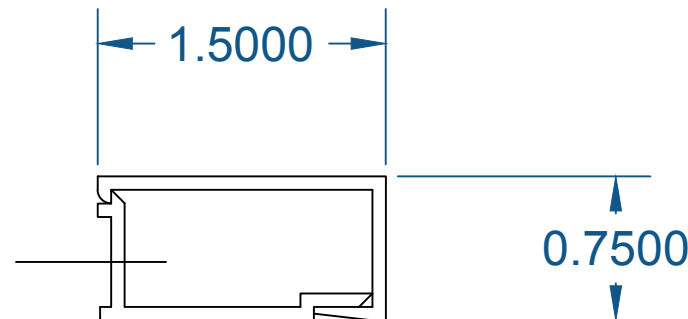
COMPATIBLE WINDOW OPTIONS:

2100 SERIES WINDOWS

6500 SERIES WINDOWS

8000 SERIES WINDOWS


3000 SERIES STOREFRONT



3/4" x 1-1/2" TRIM & CLIP

PART #: A085101_06 & A085102_06

MATERIAL: ALUMINUM

SERIES/CONFIGURATION: 3/4" x 1-1/2" TRIM & CLIP		 FiberFrame™ Comfort Line® <small>FIBERGLASS WINDOWS, PATIO DOORS, SUNROOMS & STOREFRONT</small>	COMFORT LINE LTD. 5500 ENTERPRISE BLVD. TOLEDO, OH 43612 419-729-8520	
DRAWING TYPE: ACCESSORY PROFILE			THIS DRAWING IS THE PROPERTY OF COMFORT LINE LTD. DESIGN CONCEPTS AND INFORMATION MAY NOT BE REPRODUCED USED OR DISCLOSED WITHOUT THE WRITTEN PERMISSION OF COMFORT LINE LTD.	
			PROJECT:	3/4" x 1-1/2" TRIM & CLIP
		SCALE:	1' - 0" = 1' - 0"	
		DATE:	2/13/17	QUOTE: ####
DATE	REVISION	BY	DRAWN BY:	AJL
				SHEET: AC5

SEE PRODUCT SPECIFICATIONS PAGE FOR COMPLETE PRODUCT DESCRIPTION.

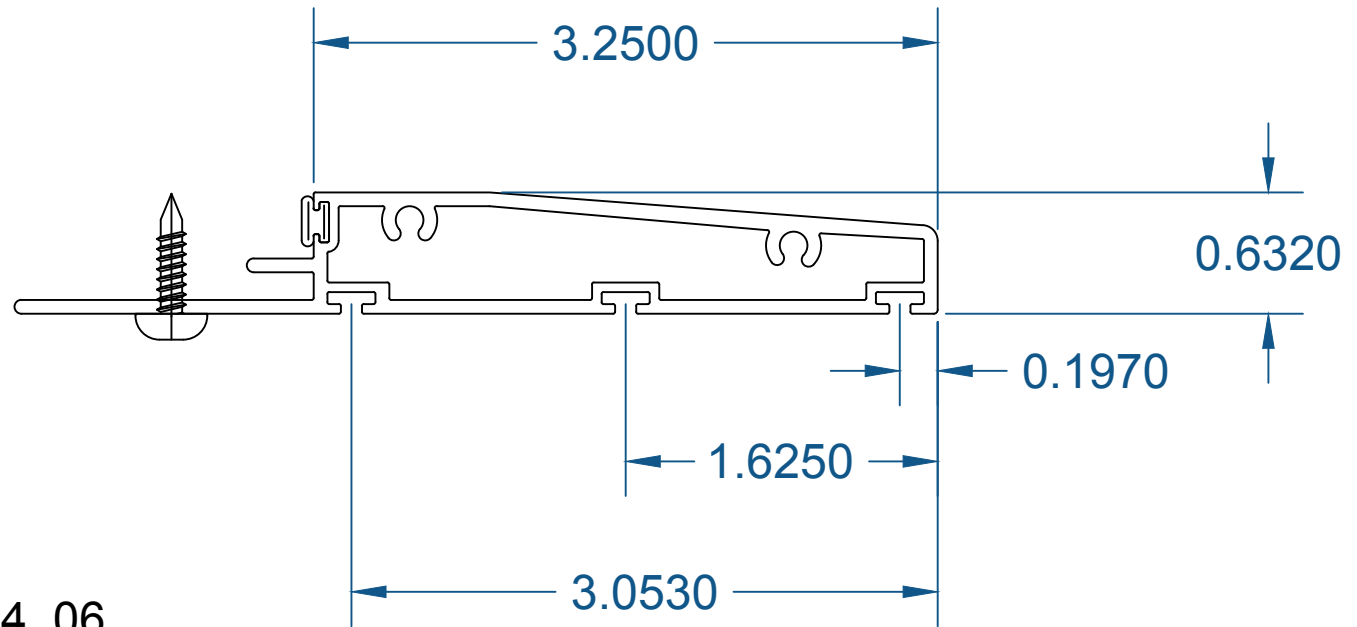
3-1/4" PANNING

(ACCESSORY PROFILE)

COMPATIBLE WINDOW OPTIONS:


2100 SERIES WINDOWS

6500 SERIES WINDOWS



3-1/4" PANNING
 PART #: A085104_06
 MATERIAL: ALUMINUM

SEE PRODUCT SPECIFICATIONS PAGE FOR COMPLETE PRODUCT DESCRIPTION.

SERIES/CONFIGURATION: 3-1/4" PANNING		 COMFORT LINE LTD. 5500 ENTERPRISE BLVD. TOLEDO, OH 43612 419-729-8520
DRAWING TYPE: ACCESSORY PROFILE		
THIS DRAWING IS THE PROPERTY OF COMFORT LINE LTD. DESIGN CONCEPTS AND INFORMATION MAY NOT BE REPRODUCED USED OR DISCLOSED WITHOUT THE WRITTEN PERMISSION OF COMFORT LINE LTD.		
		PROJECT: 3-1/4" PANNING
		SCALE: 1' - 0" = 1' - 0"
		DATE: 2/13/17
DATE	REVISION	BY: AJL
		QUOTE: ####
		SHEET: AC6

2-1/4" PANNING

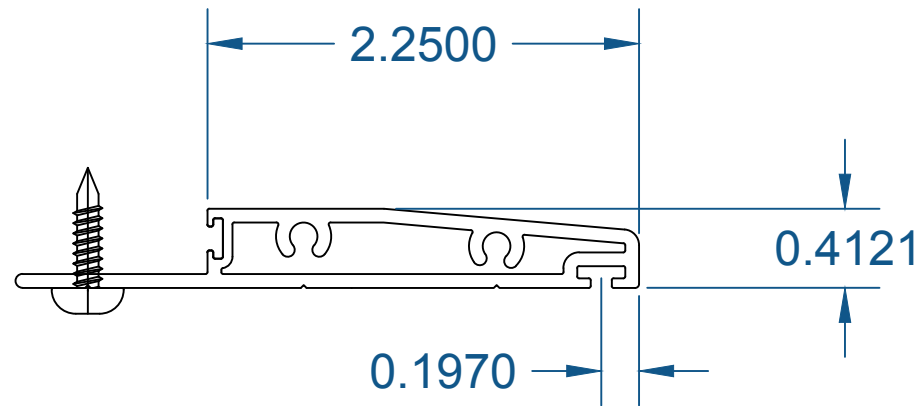
(ACCESSORY PROFILE)

COMPATIBLE WINDOW OPTIONS:

2100 SERIES WINDOWS

6500 SERIES WINDOWS

8000 SERIES WINDOWS




2-1/4" PANNING

PART #: A085117_06

MATERIAL: ALUMINUM

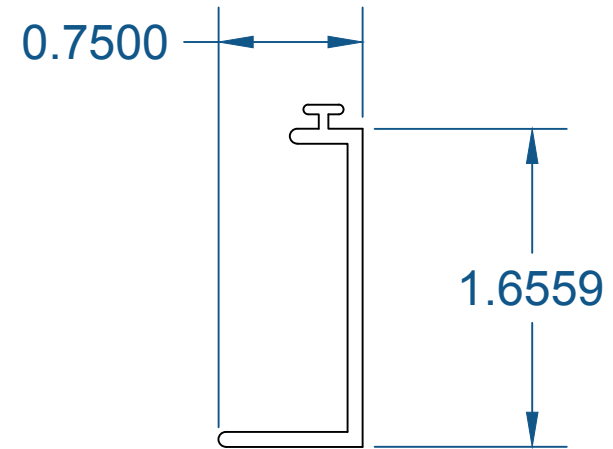
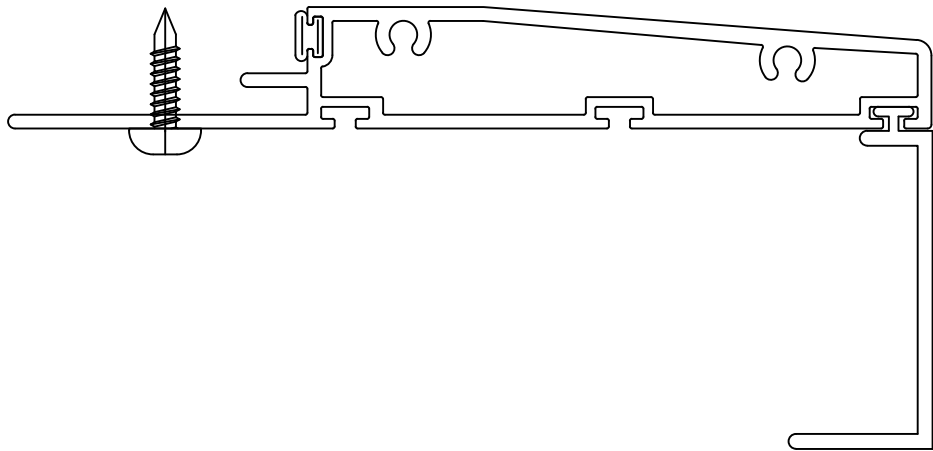
SEE PRODUCT SPECIFICATIONS PAGE FOR COMPLETE PRODUCT DESCRIPTION.

SERIES/CONFIGURATION: 2-1/4" PANNING		 <p>COMFORT LINE LTD. 5500 ENTERPRISE BLVD. TOLEDO, OH 43612 419-729-8520</p>
DRAWING TYPE: ACCESSORY PROFILE		
THIS DRAWING IS THE PROPERTY OF COMFORT LINE LTD. DESIGN CONCEPTS AND INFORMATION MAY NOT BE REPRODUCED USED OR DISCLOSED WITHOUT THE WRITTEN PERMISSION OF COMFORT LINE LTD.		
		PROJECT: 2-1/4" PANNING
		SCALE: 1' - 0" = 1' - 0"
		DATE: 2/13/17
DATE	REVISION	BY: AJL
		QUOTE: ####
		SHEET: AC7

PANNING SILL EXTENSION


(ACCESSORY PROFILE)

ATTACHED TO PANNING



PANNING SILL EXTENSION
 PART #: A085108_06
 MATERIAL: ALUMINUM

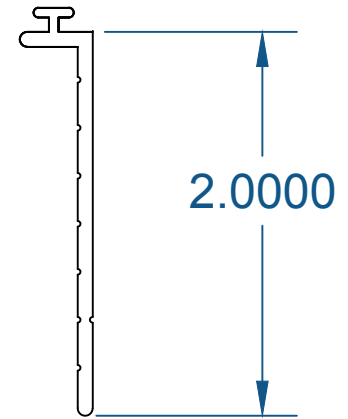
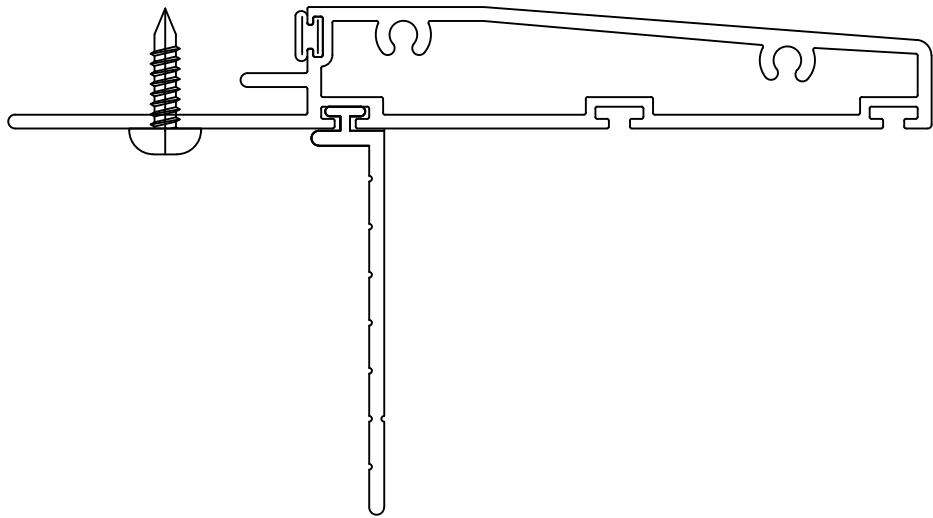
SEE PRODUCT SPECIFICATIONS PAGE FOR COMPLETE PRODUCT DESCRIPTION.

SERIES/CONFIGURATION: PANNING SILL EXTENSION			 FiberFrame™ Comfort Line® <small>FIBERGLASS WINDOWS, PATIO DOORS, SUNROOMS & STOREFRONT</small>	COMFORT LINE LTD. 5500 ENTERPRISE BLVD. TOLEDO, OH 43612 419-729-8520	
DRAWING TYPE: ACCESSORY PROFILE				THIS DRAWING IS THE PROPERTY OF COMFORT LINE LTD. DESIGN CONCEPTS AND INFORMATION MAY NOT BE REPRODUCED USED OR DISCLOSED WITHOUT THE WRITTEN PERMISSION OF COMFORT LINE LTD.	
			PROJECT: PANNING SILL EXTENSION		
			SCALE: 1' - 0" = 1' - 0"	QUOTE: ####	SHEET: AC8
			DATE: 2/13/17		
DATE	REVISION	BY	DRAWN BY: AJL		

PANNING NAIL FLANGE/SILL EXTENDER

(ACCESSORY PROFILE)

ATTACHED TO PANNING




PANNING NAIL FLANGE/SILL EXTENDER

PART #: A085107_06

MATERIAL: ALUMINUM

SEE PRODUCT SPECIFICATIONS PAGE FOR COMPLETE PRODUCT DESCRIPTION.

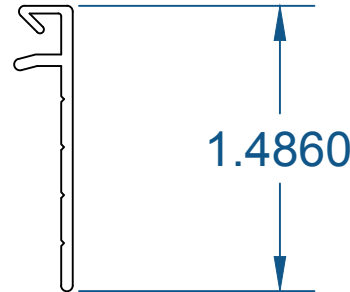
SERIES/CONFIGURATION: PANNING NAIL FLANGE/ SILL EXTENDER			 COMFORT LINE LTD. 5500 ENTERPRISE BLVD. TOLEDO, OH 43612 419-729-8520
DRAWING TYPE: ACCESSORY PROFILE			
			THIS DRAWING IS THE PROPERTY OF COMFORT LINE LTD. DESIGN CONCEPTS AND INFORMATION MAY NOT BE REPRODUCED USED OR DISCLOSED WITHOUT THE WRITTEN PERMISSION OF COMFORT LINE LTD.
			PROJECT: PANNING NAIL FLANGE/SILL EXTENDER
			SCALE: 1' - 0" = 1' - 0"
			DATE: 2/13/17
DATE	REVISION	BY	DRAWN BY: AJL
			QUOTE: ####
			SHEET: AC9

HEAD/SILL/JAMB EXPANDER

(ACCESSORY PROFILE)

COMPATIBLE WINDOW OPTIONS:

2100 SERIES WINDOWS
 6500 SERIES WINDOWS
 8000 SERIES WINDOWS




HEAD/SILL/JAMB EXPANDER

PART #: 815_02

MATERIAL: VINYL

SEE PRODUCT SPECIFICATIONS PAGE FOR COMPLETE PRODUCT DESCRIPTION.

SERIES/CONFIGURATION: HEAD/SILL/JAMB EXPANDER		 <p>COMFORT LINE LTD. 5500 ENTERPRISE BLVD. TOLEDO, OH 43612 419-729-8520</p>
DRAWING TYPE: ACCESSORY PROFILE		
		THIS DRAWING IS THE PROPERTY OF COMFORT LINE LTD. DESIGN CONCEPTS AND INFORMATION MAY NOT BE REPRODUCED USED OR DISCLOSED WITHOUT THE WRITTEN PERMISSION OF COMFORT LINE LTD.
		PROJECT: HEAD/SILL/JAMB EXPANDER
		SCALE: 1' - 0" = 1' - 0"
		DATE: 2/13/17
DATE	REVISION	BY
		DRAWN BY: AJL
		QUOTE: ####
		SHEET: AC10