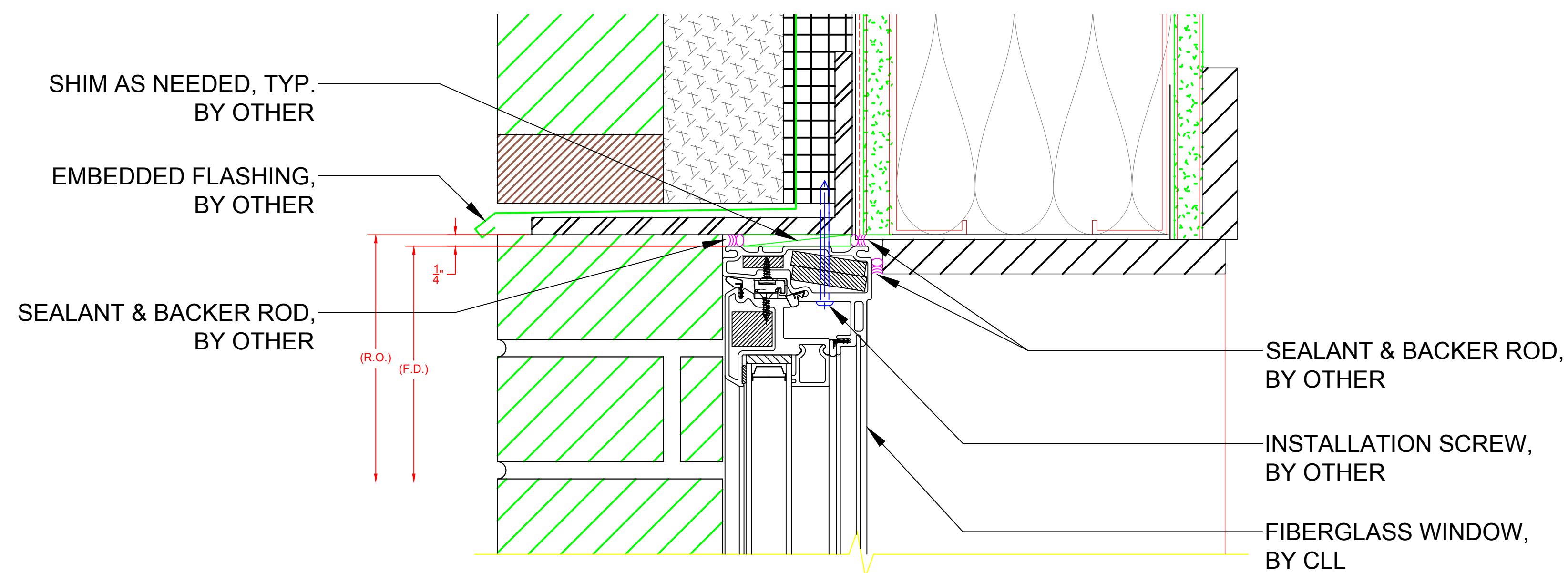


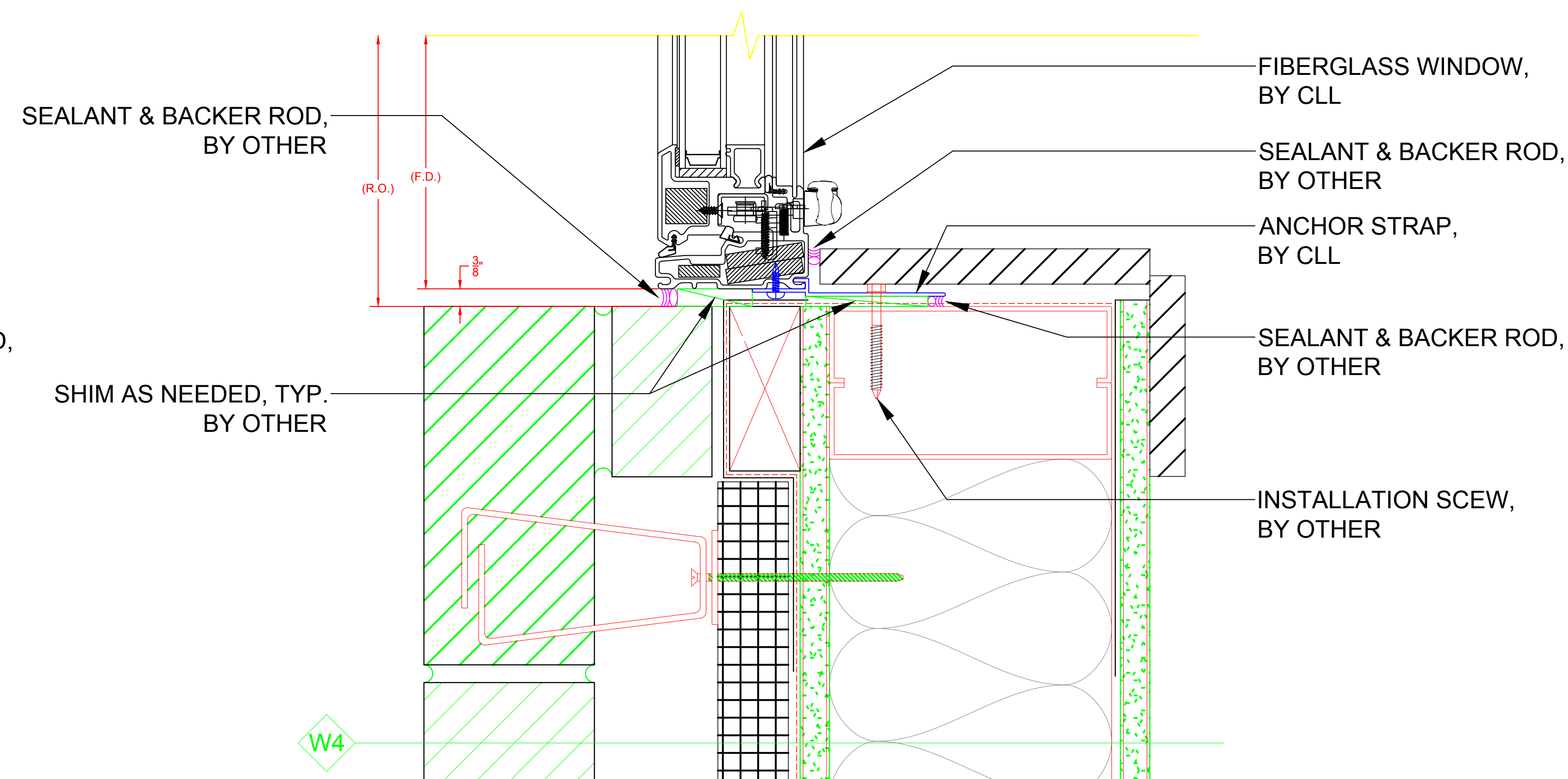
2100 SERIES CASEMENT

(INSTALLATION METHODS)



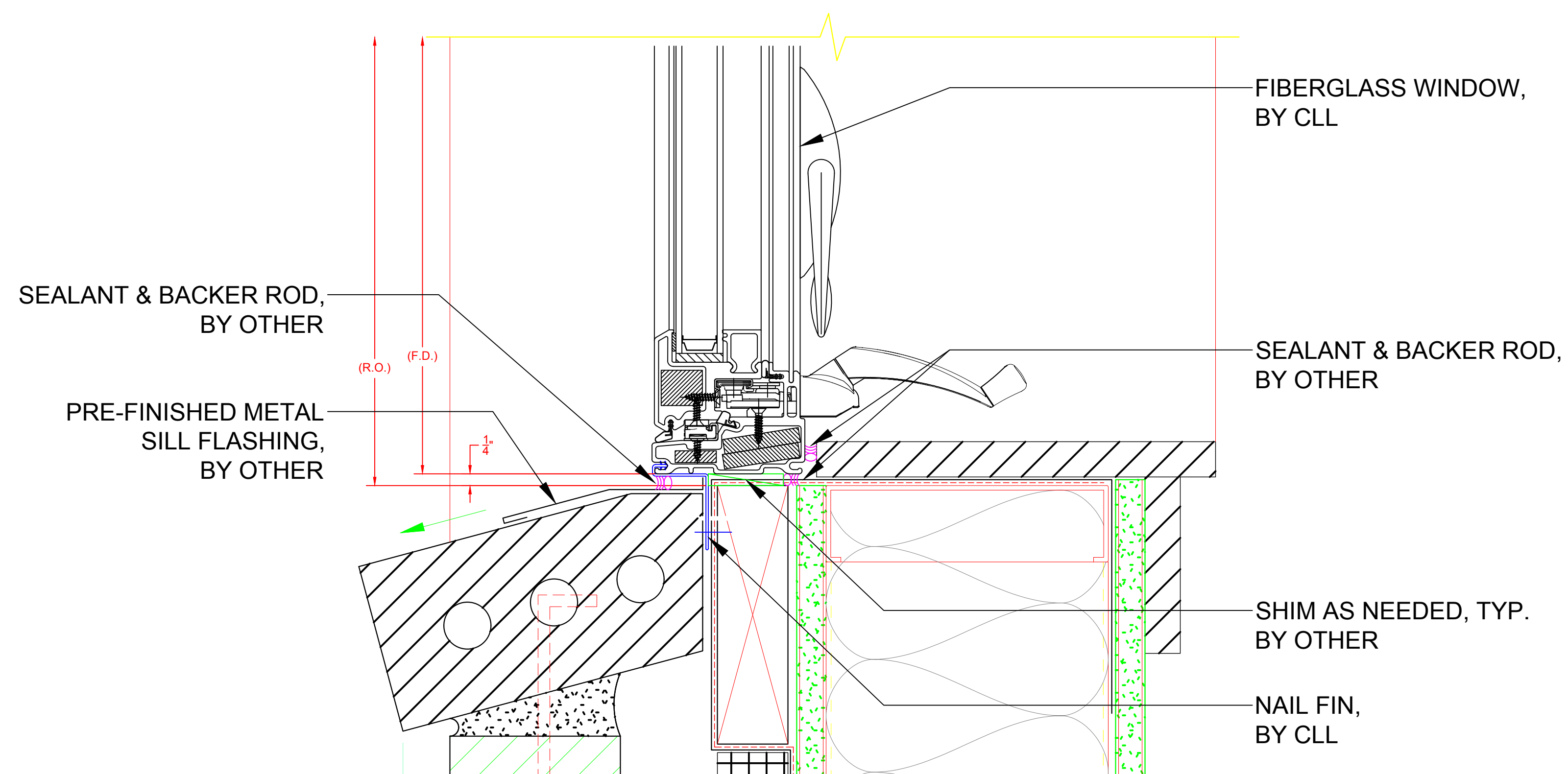
HEAD DETAIL - 2100 CASEMENT WINDOW (W/ INSTALL THROUGH FRAME)

H1



JAMB DETAIL - 2100 CASEMENT WINDOW (W/ ANCHOR STRAP)

J1




SILL DETAIL - 2100 CASEMENT WINDOW (W/ RIGID NAIL FIN)

S1

*** NOTE:**

- ALL DRAWINGS ARE FOR REFERENCE PURPOSES ONLY
- ACTUAL INSTALLATION, FASTENERS, ETC. MAY VARY
- AVB & SEALANT BY OTHER, PER LOCAL & INTERNATIONAL BUILDING CODES
- ALL INSTALLATION SCREWS GOING INTO R.O. ARE BY OTHER
- ALL SHIMS ARE BY OTHER

SEE PRODUCT SPECIFICATIONS PAGE FOR COMPLETE PRODUCT DESCRIPTION.

SERIES/CONFIGURATION: 2100 SERIES CASEMENT		 FiberFrame™ Comfort Line® <small>FIBERGLASS WINDOWS, PATIO DOORS, SUNROOMS & STOREFRONT</small>	COMFORT LINE LTD. 5500 ENTERPRISE BLVD. TOLEDO, OH 43612 419-729-8520	
DRAWING TYPE: INSTALLATION EXAMPLES			THIS DRAWING IS THE PROPERTY OF COMFORT LINE LTD. DESIGN CONCEPTS AND INFORMATION MAY NOT BE REPRODUCED USED OR DISCLOSED WITHOUT THE WRITTEN PERMISSION OF COMFORT LINE LTD.	
		SCALE: 6" = 1' - 0"	PROJECT: 2100 CASEMENT	
		DATE: 2/13/17	QUOTE: ####	SHEET: CA5
DATE	REVISION	BY	DRAWN BY: AJL	