

# 8000 SERIES DOUBLE HUNG

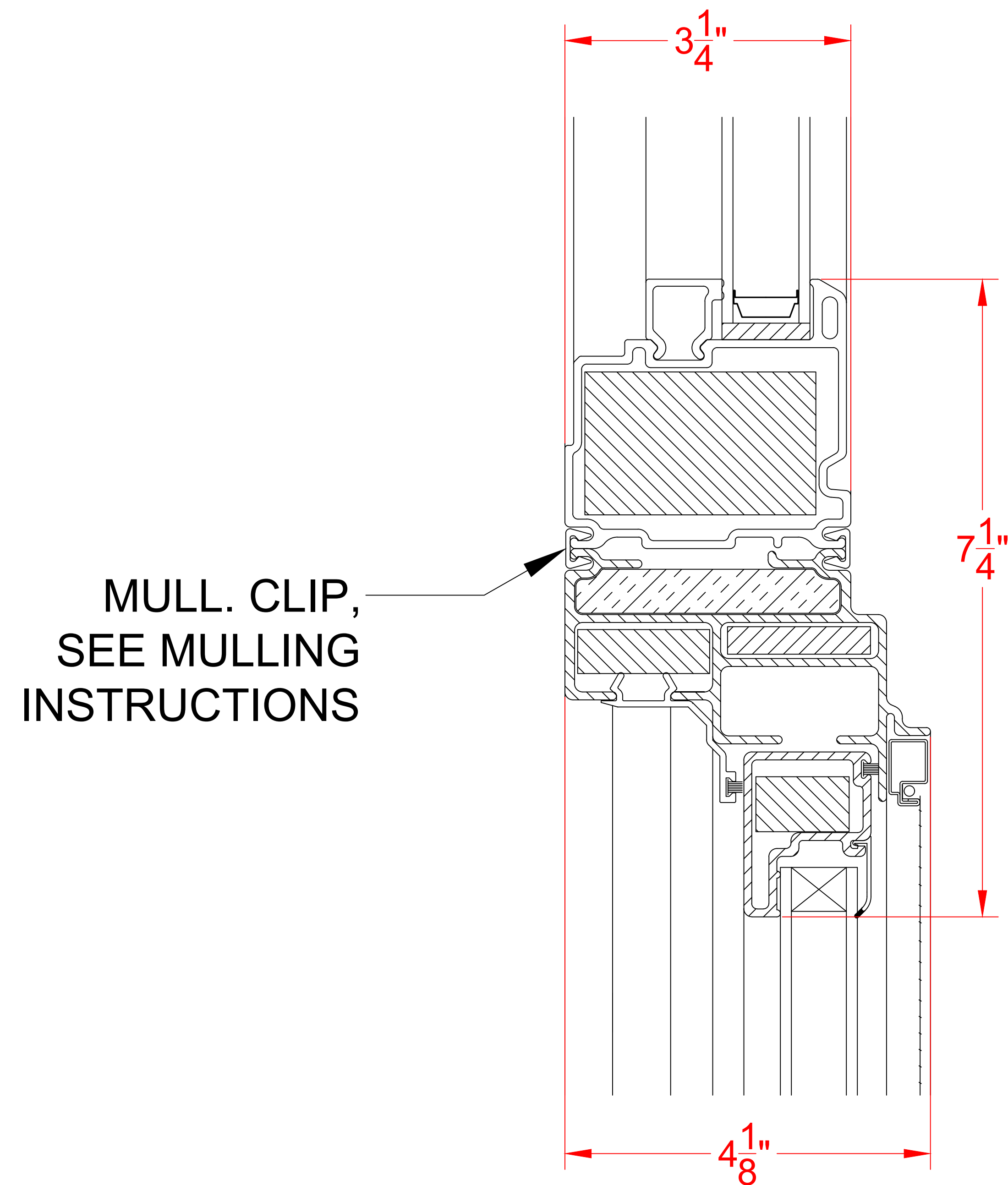
(MULLING DETAIL)

MULLING OPTIONS INCLUDE:

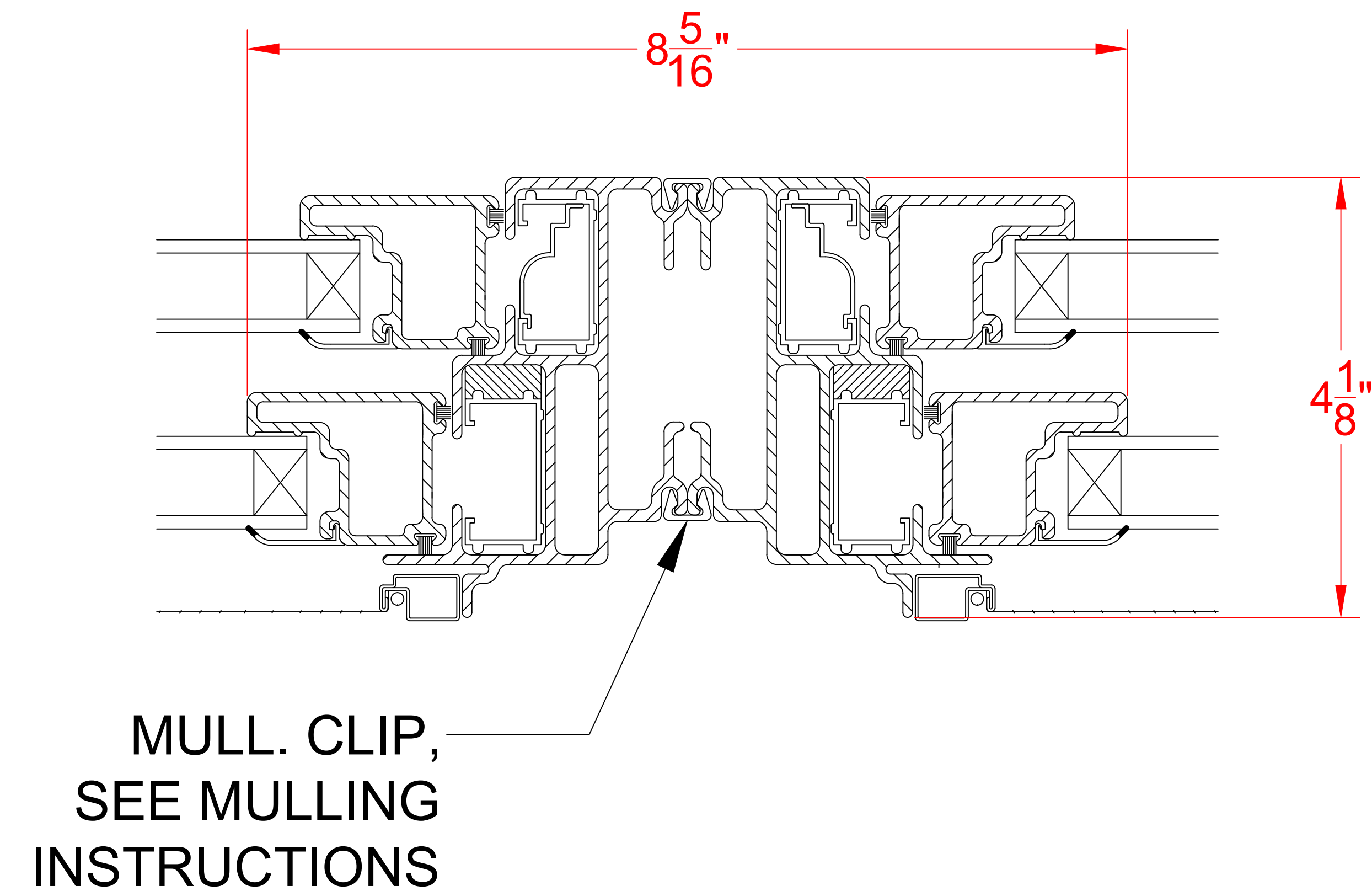
2100 SERIES

6500 SERIES

8000 SERIES




# MULL. DETAIL - DOUBLE HUNG / PICTURE - TYP.  
HORIZONTAL MULLS



# MULL. DETAIL - DOUBLE HUNG / DOUBLE HUNG - TYP.  
VERTICAL MULLS

SEE PRODUCT SPECIFICATIONS PAGE FOR COMPLETE PRODUCT DESCRIPTION.

SERIES/CONFIGURATION: 8000 SERIES DOUBLE HUNG		 <p>COMFORT LINE LTD. 5500 ENTERPRISE BLVD. TOLEDO, OH 43612 419-729-8520</p>	PROJECT: 8000 DOUBLE HUNG	
DRAWING TYPE: MULLING SECTION DETAIL			<p>THIS DRAWING IS THE PROPERTY OF COMFORT LINE LTD. DESIGN CONCEPTS AND INFORMATION MAY NOT BE REPRODUCED USED OR DISCLOSED WITHOUT THE WRITTEN PERMISSION OF COMFORT LINE LTD.</p>	
		SCALE: 1' - 0" = 1' - 0"	QUOTE: #### SHEET: DH6	
DATE	REVISION	BY	DRAWN BY: AJL	