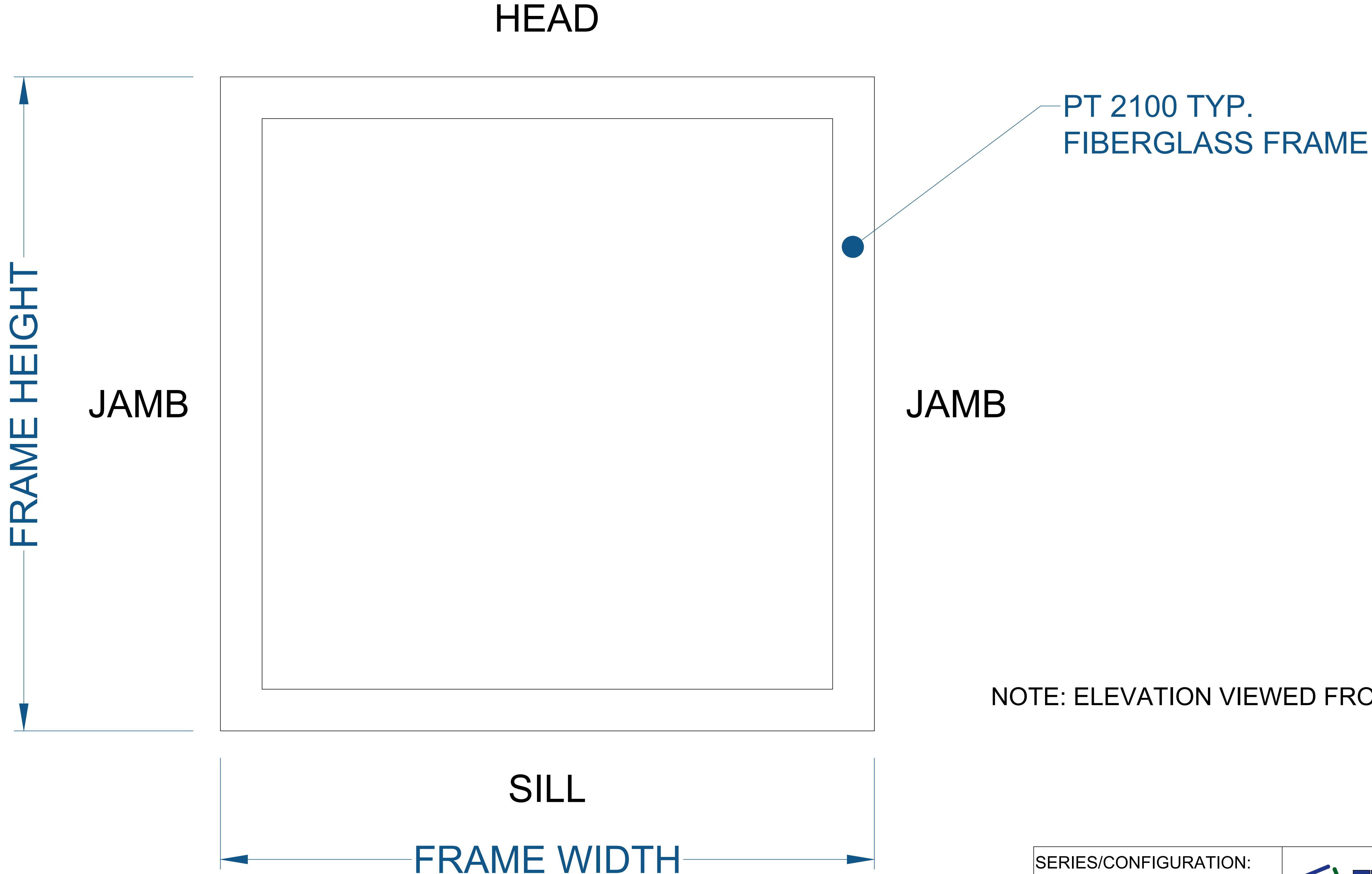



2100 SERIES PICTURE

(ELEVATION DRAWING)



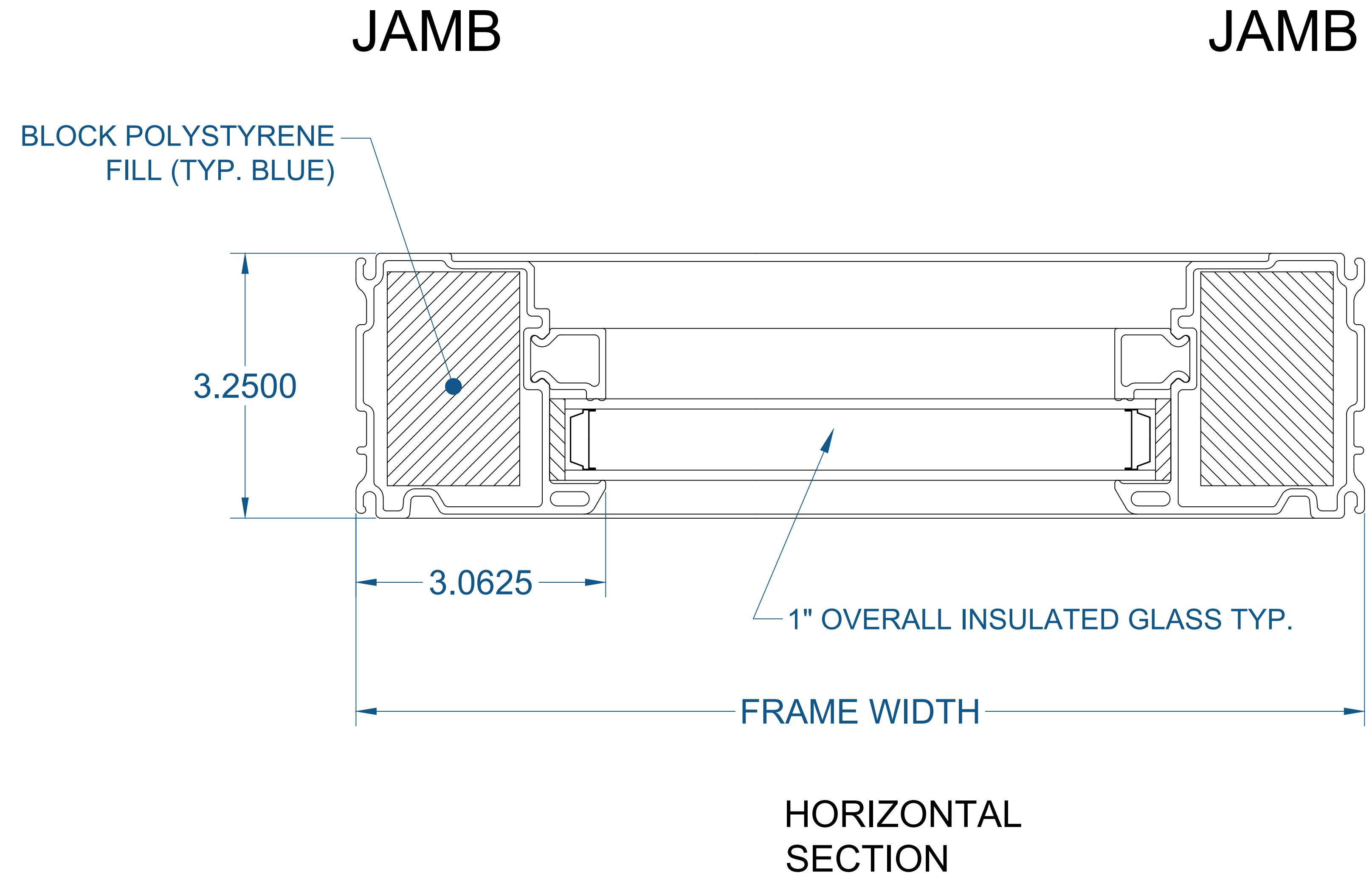
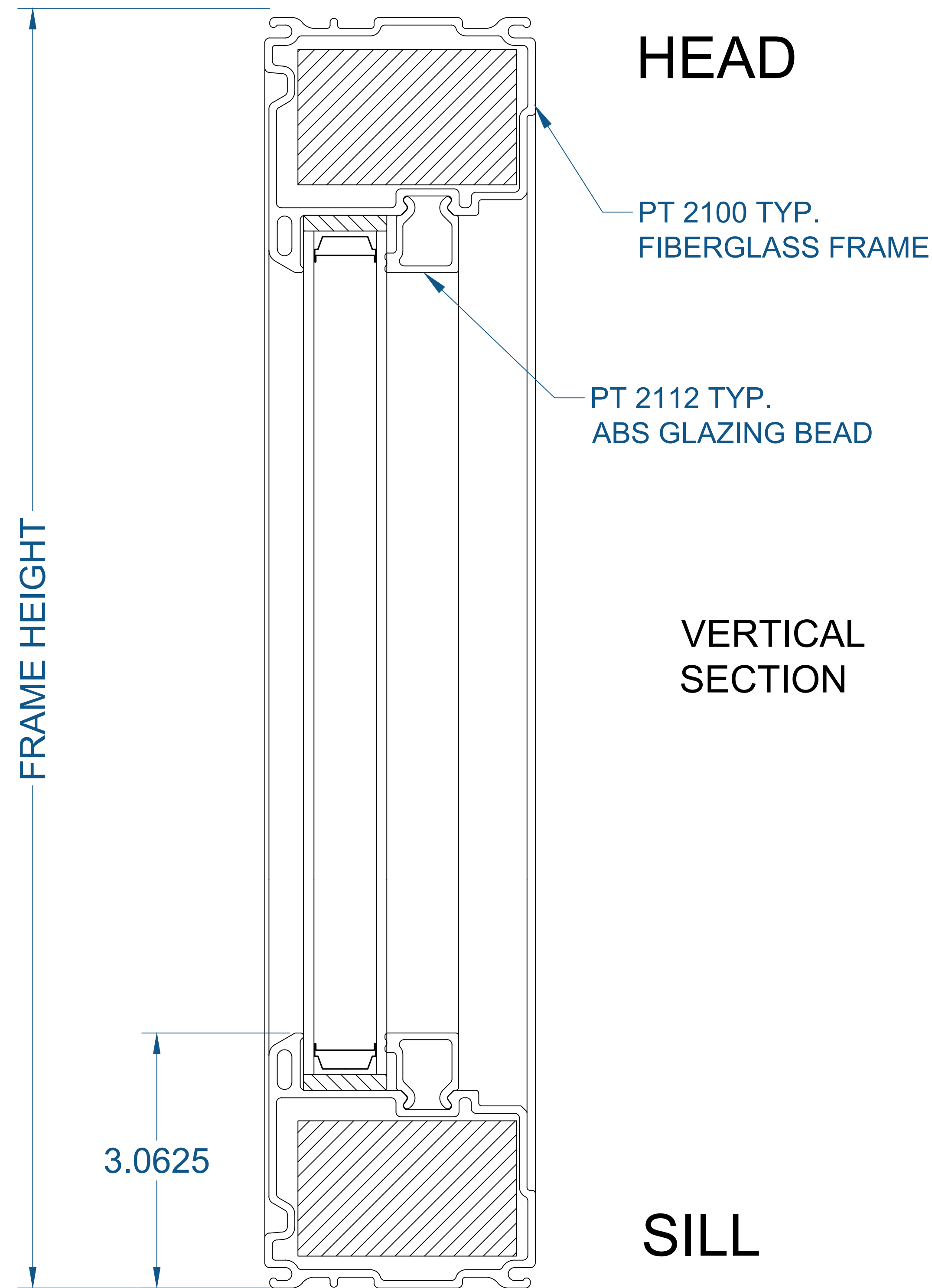
NOTE: ELEVATION VIEWED FROM THE OUTSIDE LOOKING IN.

SEE PRODUCT SPECIFICATIONS PAGE FOR COMPLETE PRODUCT DESCRIPTION.


SERIES/CONFIGURATION: 2100 SERIES PICTURE WINDOW		 FiberFrame™ Comfort Line® <small>FIBERGLASS WINDOWS, PATIO DOORS, SUNROOMS & STOREFRONT</small>	COMFORT LINE LTD. 5500 ENTERPRISE BLVD. TOLEDO, OH 43612 419-729-8520	
DRAWING TYPE: ELEVATION DRAWING			THIS DRAWING IS THE PROPERTY OF COMFORT LINE LTD. DESIGN CONCEPTS AND INFORMATION MAY NOT BE REPRODUCED USED OR DISCLOSED WITHOUT THE WRITTEN PERMISSION OF COMFORT LINE LTD.	
		PROJECT: 2100 PICTURE		
		SCALE: 3" = 1' - 0"	QUOTE: ####	SHEET: PW1
DATE	REVISION	BY	DRAWN BY: AJL	

2100 SERIES PICTURE

(SECTION PROFILE)

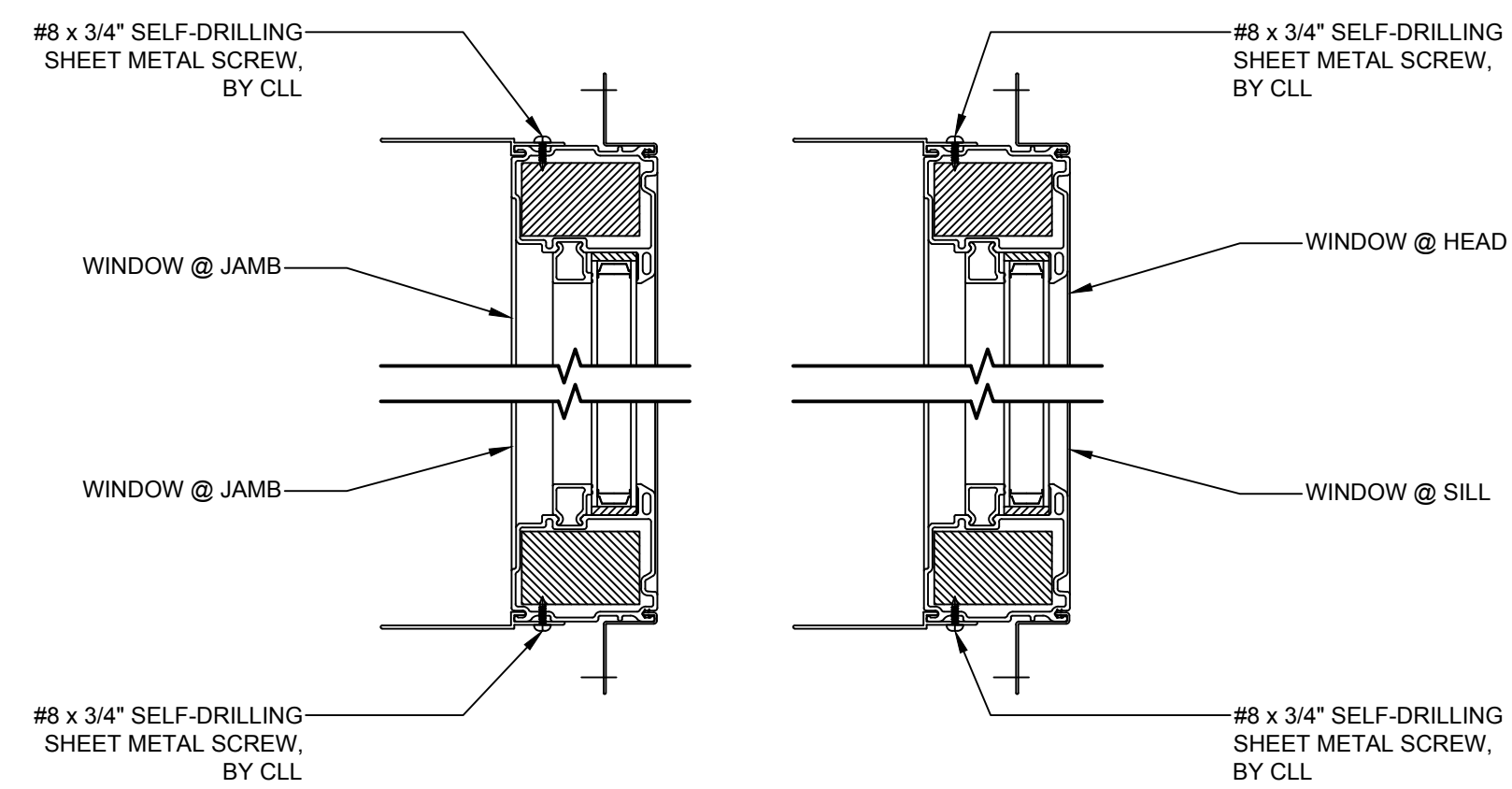


SEE PRODUCT SPECIFICATIONS PAGE FOR COMPLETE PRODUCT DESCRIPTION.

SERIES/CONFIGURATION: 2100 SERIES PICTURE WINDOW		 FiberFrame™ Comfort Line® <small>FIBERGLASS WINDOWS, PATIO DOORS, SUNROOMS & STOREFRONT</small>	COMFORT LINE LTD. 5500 ENTERPRISE BLVD. TOLEDO, OH 43612 419-729-8520		
DRAWING TYPE: DETAIL WINDOW PROFILES			THIS DRAWING IS THE PROPERTY OF COMFORT LINE LTD. DESIGN CONCEPTS AND INFORMATION MAY NOT BE REPRODUCED USED OR DISCLOSED WITHOUT THE WRITTEN PERMISSION OF COMFORT LINE LTD.		
		PROJECT: 2100 PICTURE			
		SCALE: 1' - 0" = 1' - 0"			
		DATE: 2/13/17			
DATE	REVISION	BY	DRAWN BY: AJL	QUOTE: ####	SHEET: PW2

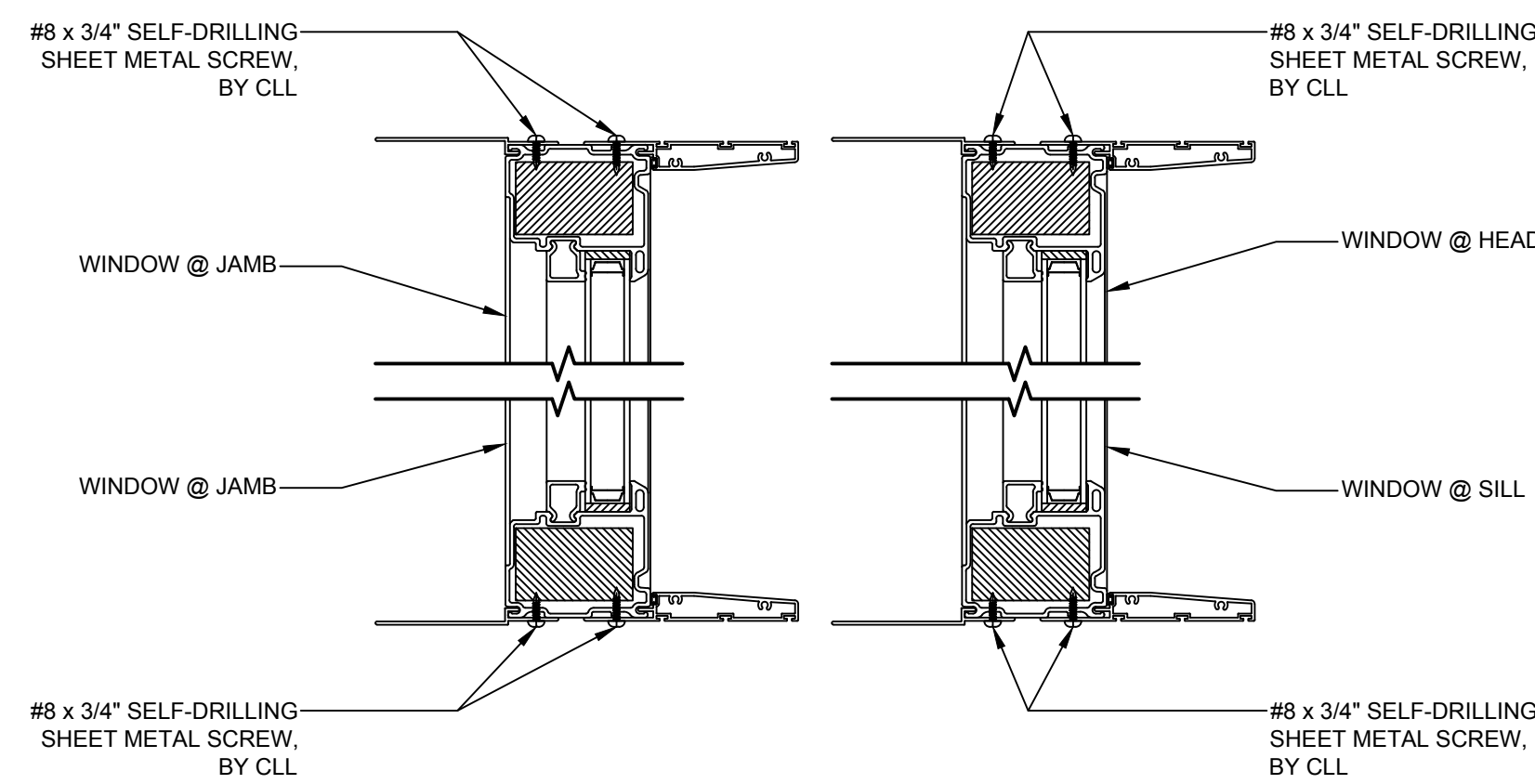
2100 SERIES PICTURE

(SERIES OVERVIEW)



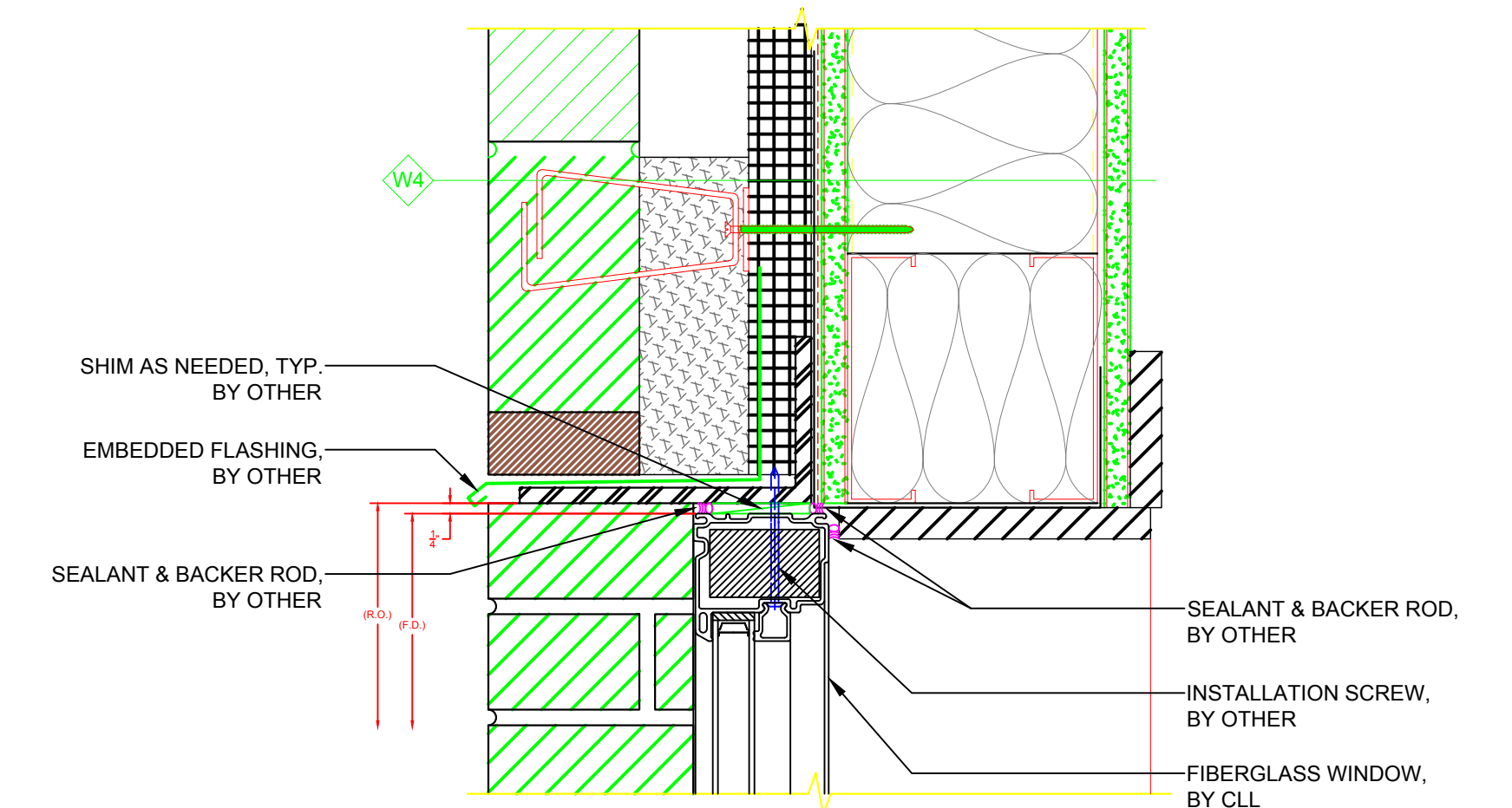
2100 SERIES PICTURE WINDOW PROFILE W/
RIGID NAIL FIN & ANCHOR STRAP (BY CLL)

#8 x 3/4" SELF-DRILLING SHEET METAL SCREW @ ANCHOR STRAP (BY CLL)



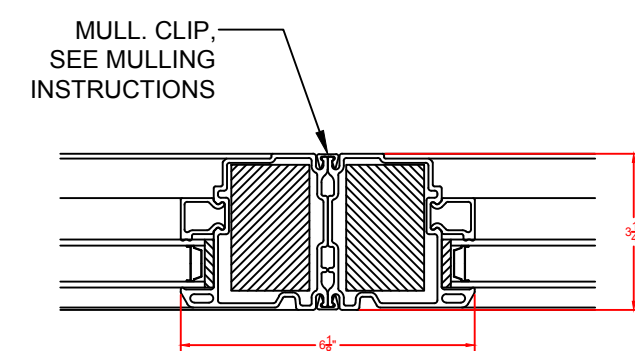
2100 SERIES PICTURE WINDOW PROFILE W/
3 1/4" PANNING & ANCHOR STRAP (BY CLL)

#8 x 3/4" SELF-DRILLING SHEET METAL SCREW @ ANCHOR STRAP (BY CLL)
#8 x 3/4" SELF-DRILLING SHEET METAL SCREW @ PANNING (BY CLL)



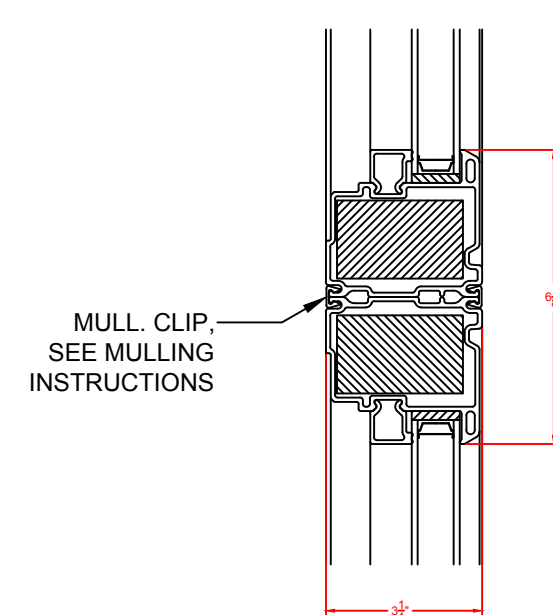
HEAD DETAIL - 2100 PICTURE WINDOW
(W/ INSTALL THROUGH FRAME)

H1



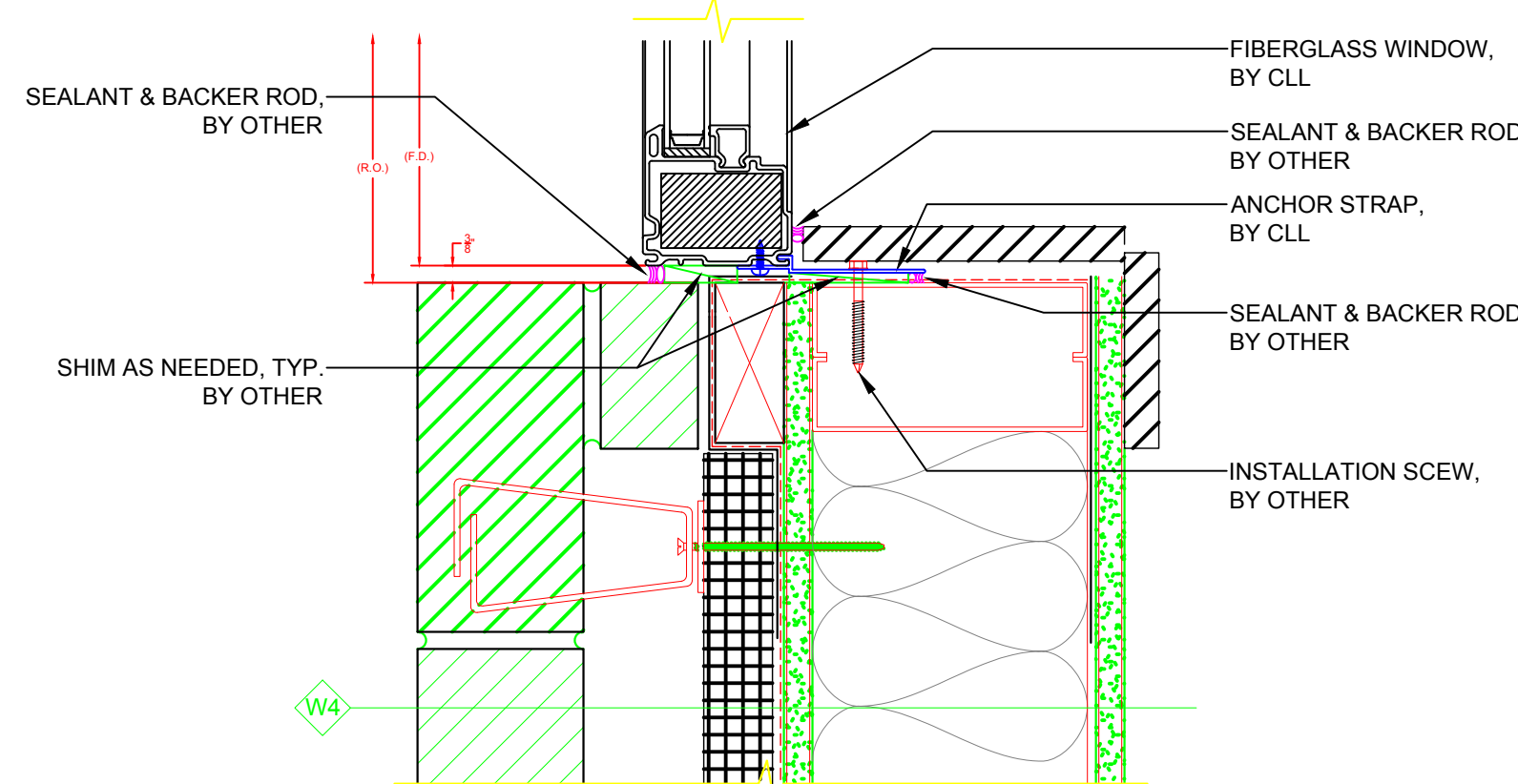
MULL. DETAIL - PICTURE / PICTURE - TYP.
VERTICAL MULLS

#



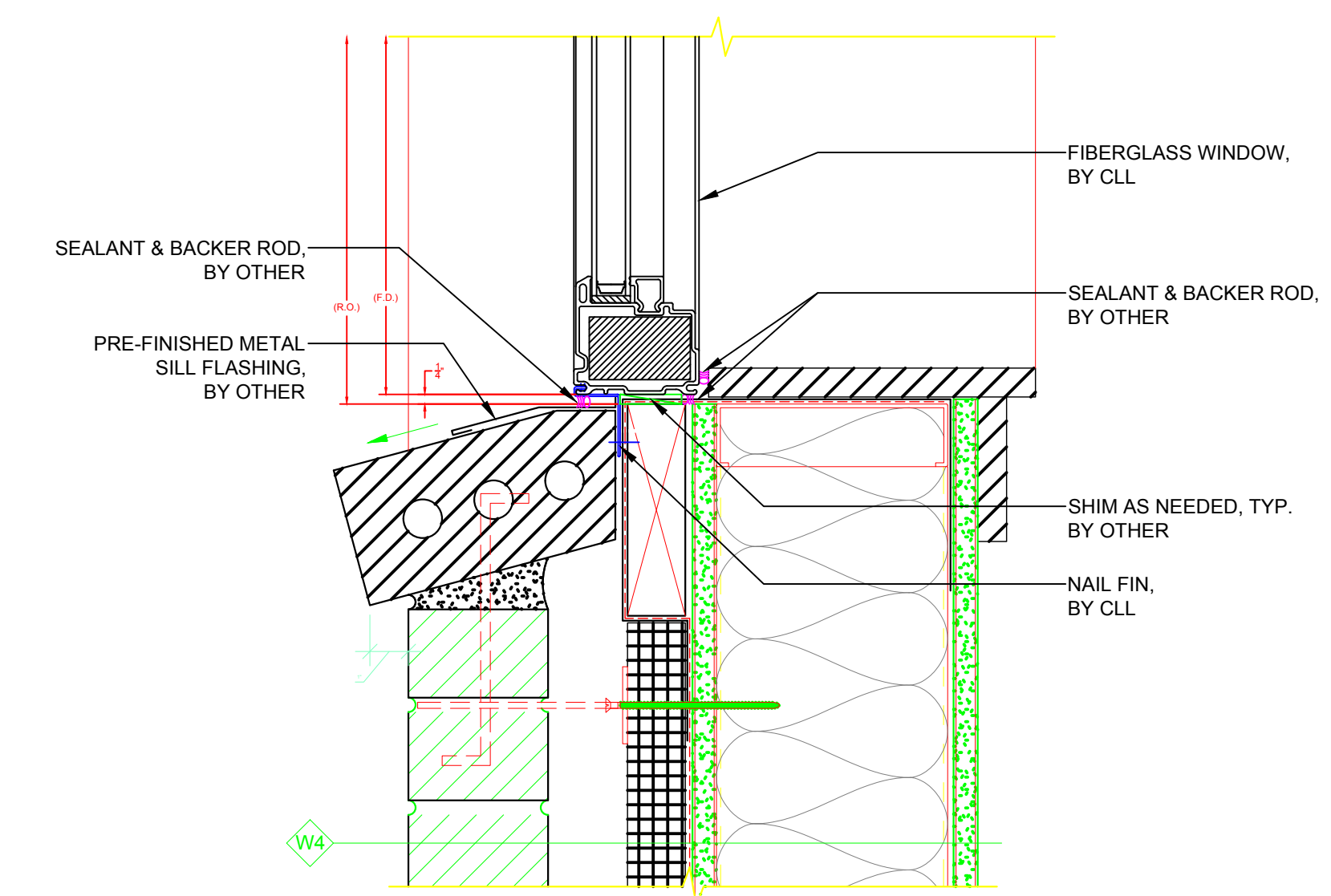
MULL. DETAIL - PICTURE / PICTURE - TYP.
HORIZONTAL MULLS

#



JAMB DETAIL - 2100 PICTURE WINDOW
(W/ ANCHOR STRAP)

J1




SILL DETAIL - 2100 PICTURE WINDOW
(W/ RIGID NAIL FIN)

S1

*** NOTE:**

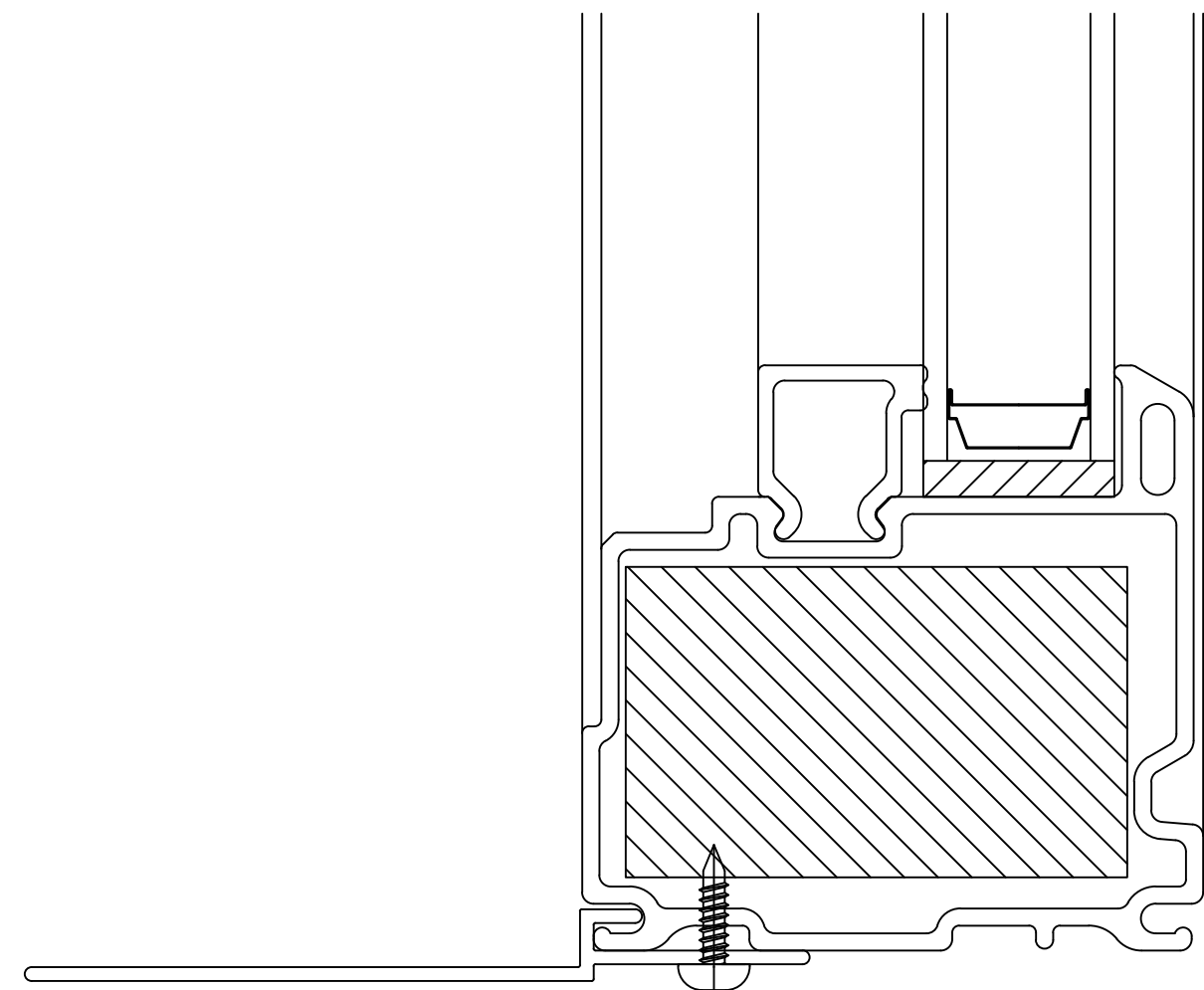
- ALL DRAWINGS ARE FOR REFERENCE PURPOSES ONLY
- ACTUAL INSTALLATION, FASTENERS, ETC. MAY VARY
- AVB & SEALANT BY OTHER, PER LOCAL & INTERNATIONAL BUILDING CODES
- ALL INSTALLATION SCREWS GOING INTO R.O. ARE BY OTHER
- ALL SHIMS ARE BY OTHER

SEE PRODUCT SPECIFICATIONS PAGE FOR COMPLETE PRODUCT DESCRIPTION.

SERIES/CONFIGURATION: 2100 SERIES PICTURE WINDOW		 COMFORT LINE LTD. 5500 ENTERPRISE BLVD. TOLEDO, OH 43612 419-729-8520
DRAWING TYPE: DETAIL WINDOW PROFILES		
		THIS DRAWING IS THE PROPERTY OF COMFORT LINE LTD. DESIGN CONCEPTS AND INFORMATION MAY NOT BE REPRODUCED USED OR DISCLOSED WITHOUT THE WRITTEN PERMISSION OF COMFORT LINE LTD.
		PROJECT: 2100 PICTURE
		SCALE: 3" = 1' - 0"
		DATE: 2/13/17
DATE	REVISION	BY
		DRAWN BY: AJL
		QUOTE: ####
		SHEET: PW3

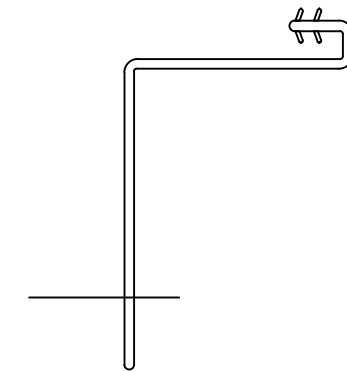
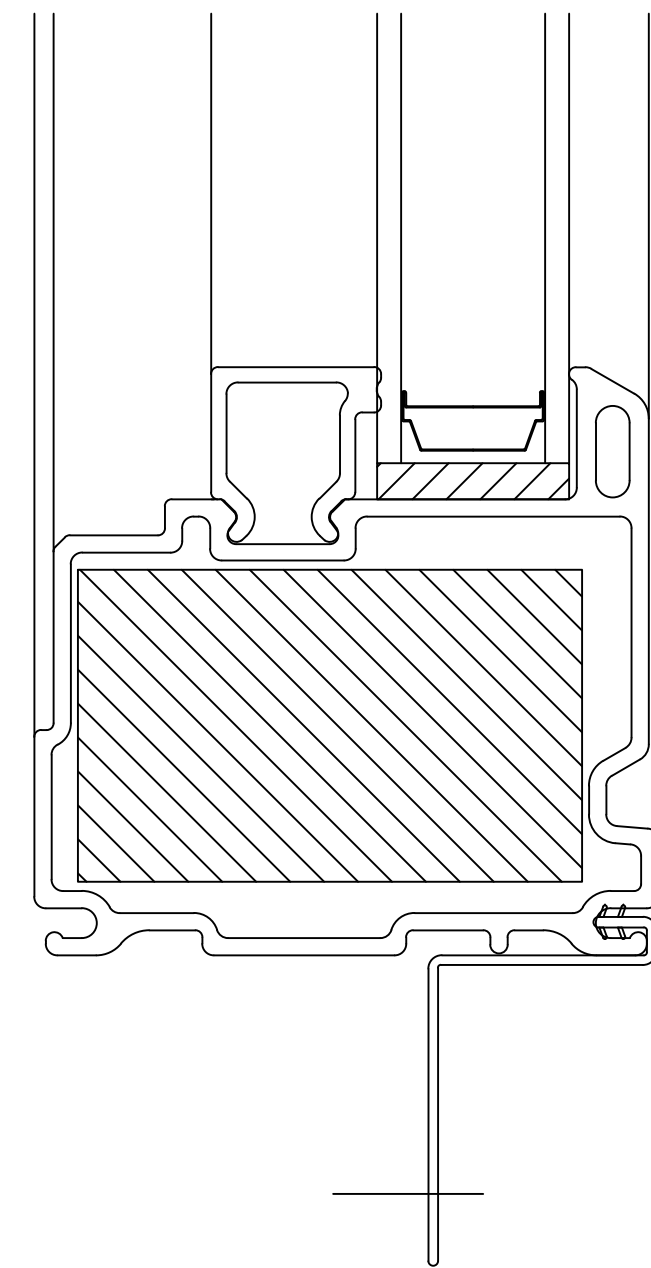
2100 SERIES PICTURE

(AVAILABLE ACCESSORIES)



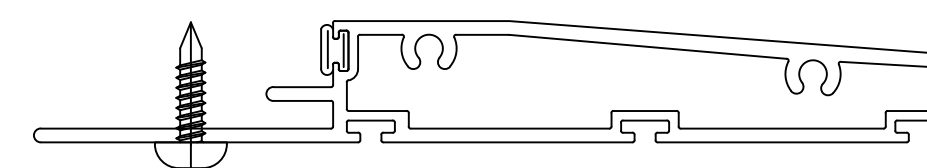
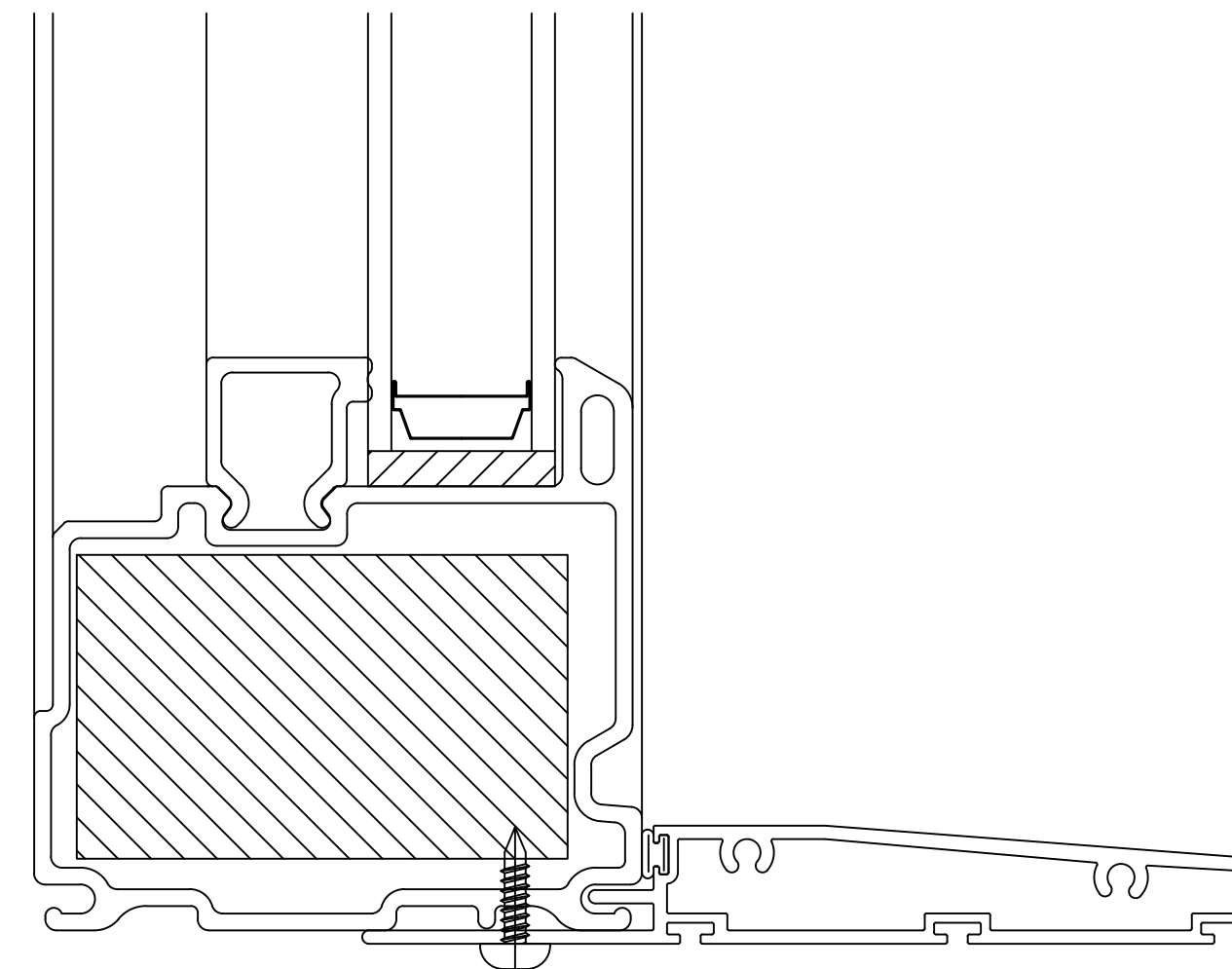
2100 PICTURE WINDOW
W/ ANCHOR STRAP

#



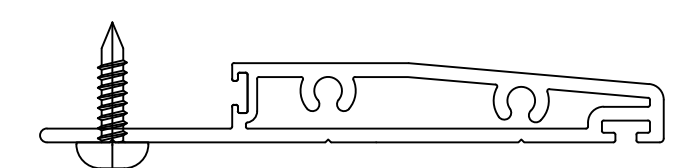
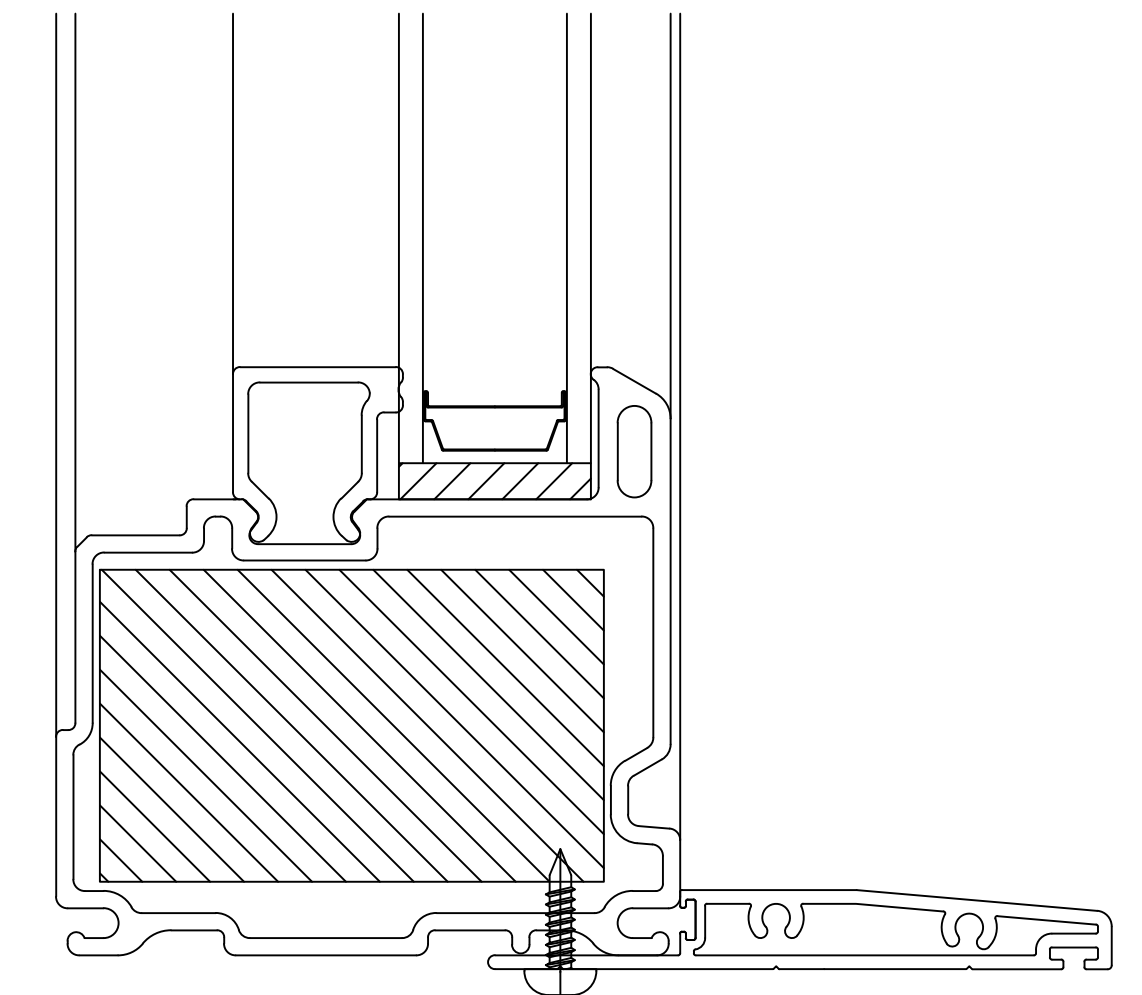
2100 PICTURE WINDOW
W/ RIGID NAIL FIN

#



2100 PICTURE WINDOW
W/ 3 1/4" PANNING

#




2100 PICTURE WINDOW
W/ 2 1/4" PANNING

#

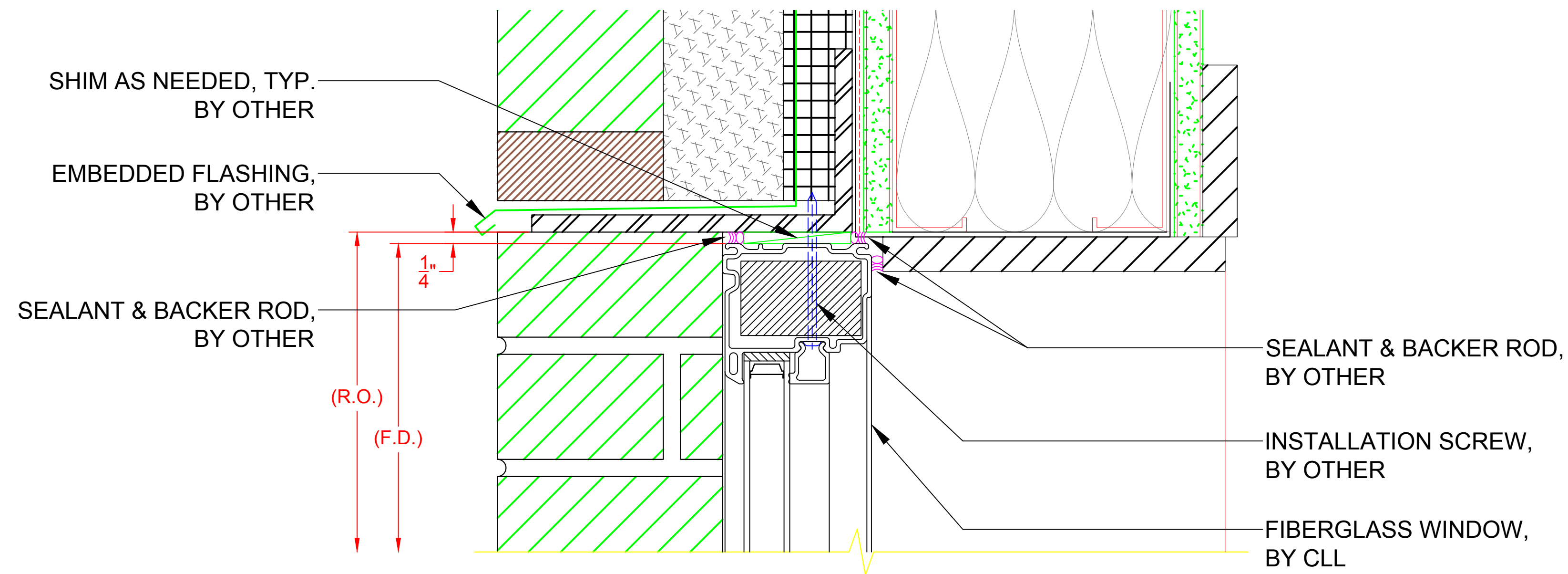
NOTE: - ACCESSORIES SHOWN ARE AVAILABLE OPTIONS FOR THE CURRENT WINDOW SERIES.
- ALL ACCESSORIES ARE NOT AVAILABLE FOR EVERY WINDOW SERIES.

SEE PRODUCT SPECIFICATIONS PAGE FOR COMPLETE PRODUCT DESCRIPTION.

SERIES/CONFIGURATION: 2100 SERIES PICTURE WINDOW		 FiberFrame™ Comfort Line® <small>FIBERGLASS WINDOWS, PATIO DOORS, SUNROOMS & STOREFRONT</small>	COMFORT LINE LTD. 5500 ENTERPRISE BLVD. TOLEDO, OH 43612 419-729-8520	
DRAWING TYPE: PROFILE W/ ACCESSORIES			THIS DRAWING IS THE PROPERTY OF COMFORT LINE LTD. DESIGN CONCEPTS AND INFORMATION MAY NOT BE REPRODUCED USED OR DISCLOSED WITHOUT THE WRITTEN PERMISSION OF COMFORT LINE LTD.	
		SCALE: 1' - 0" = 1' - 0"	PROJECT: 2100 PICTURE	
		DATE: 2/13/17	QUOTE: ###	SHEET: PW4
DATE	REVISION	BY	DRAWN BY: AJL	

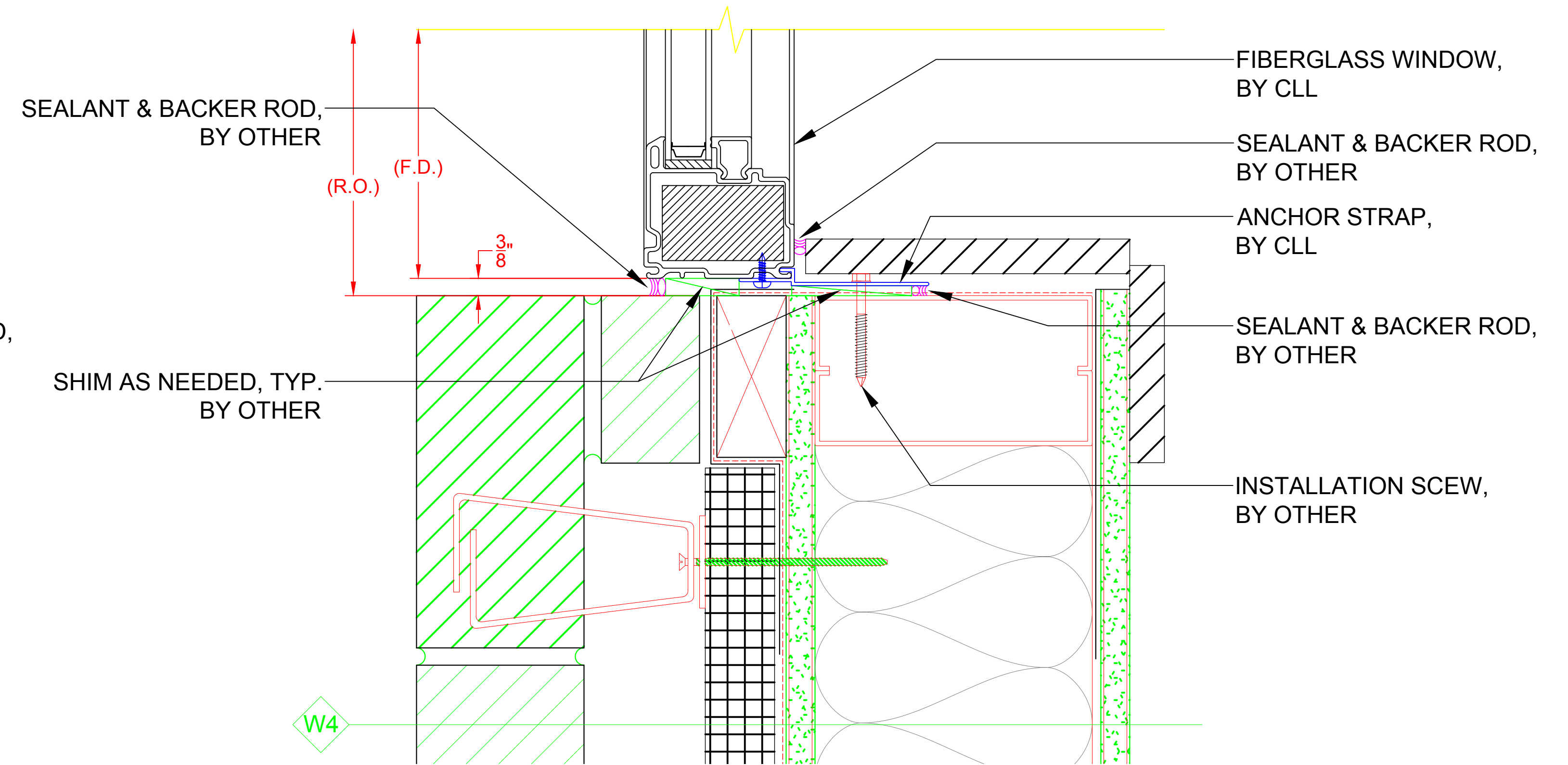
2100 SERIES PICTURE

(INSTALLATION METHODS)



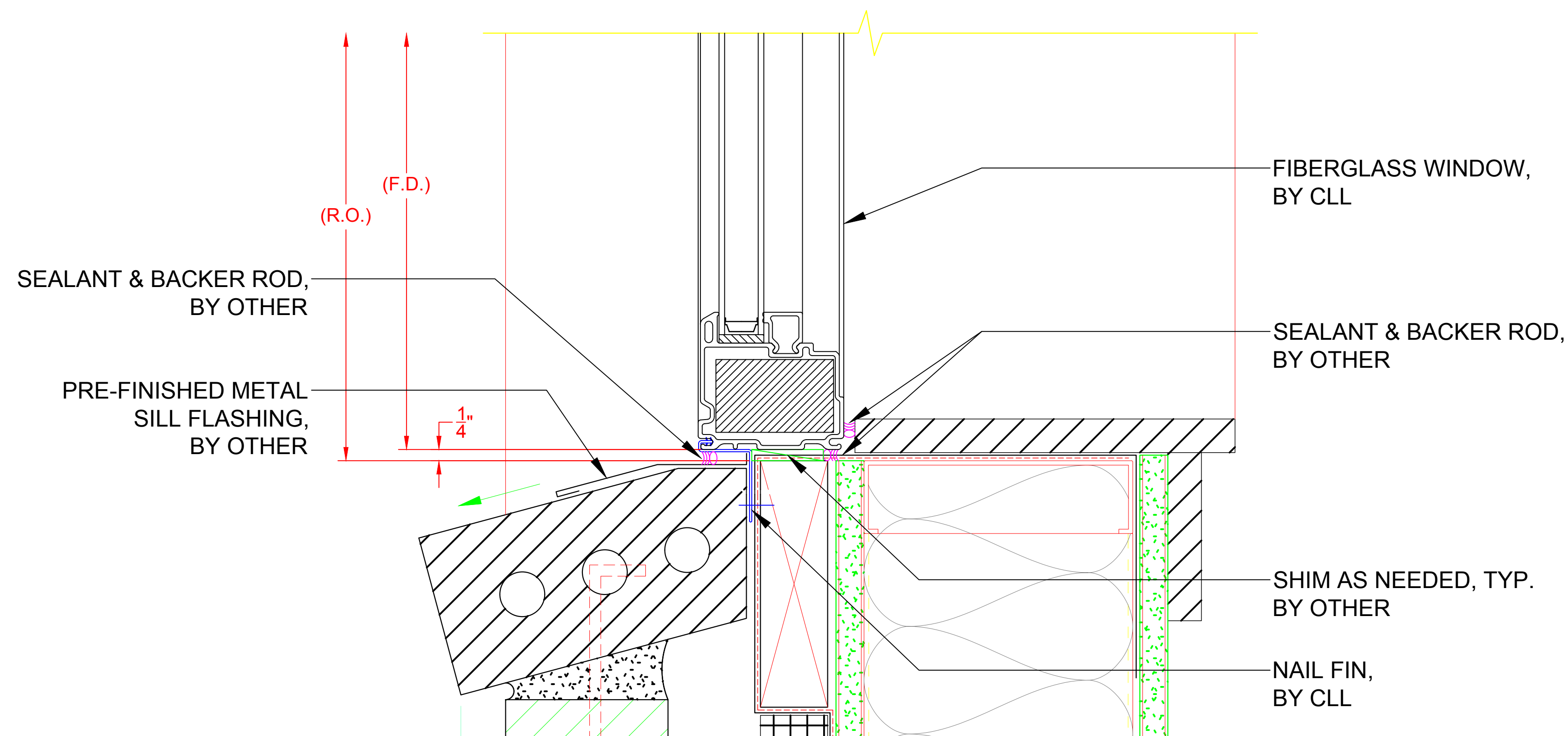
**HEAD DETAIL - 2100 PICTURE WINDOW
(W/ INSTALL THROUGH FRAME)**

H1



**JAMB DETAIL - 2100 PICTURE WINDOW
(W/ ANCHOR STRAP)**

J1




**SILL DETAIL - 2100 PICTURE WINDOW
(W/ RIGID NAIL FIN)**

S1

*** NOTE:**

- ALL DRAWINGS ARE FOR REFERENCE PURPOSES ONLY
- ACTUAL INSTALLATION, FASTENERS, ETC. MAY VARY
- AVB & SEALANT BY OTHER, PER LOCAL & INTERNATIONAL BUILDING CODES
- ALL INSTALLATION SCREWS GOING INTO R.O. ARE BY OTHER
- ALL SHIMS ARE BY OTHER

SEE PRODUCT SPECIFICATIONS PAGE FOR COMPLETE PRODUCT DESCRIPTION.

SERIES/CONFIGURATION: 2100 SERIES PICTURE WINDOW		 FiberFrame™ Comfort Line® <small>FIBERGLASS WINDOWS, PATIO DOORS, SUNROOMS & STOREFRONT</small>	COMFORT LINE LTD. 5500 ENTERPRISE BLVD. TOLEDO, OH 43612 419-729-8520		
DRAWING TYPE: INSTALLATION EXAMPLES			THIS DRAWING IS THE PROPERTY OF COMFORT LINE LTD. DESIGN CONCEPTS AND INFORMATION MAY NOT BE REPRODUCED USED OR DISCLOSED WITHOUT THE WRITTEN PERMISSION OF COMFORT LINE LTD.		
		SCALE:	6" = 1' - 0"	PROJECT:	2100 PICTURE
		DATE:	2/13/17	QUOTE:	####
DATE	REVISION	BY	DRAWN BY:	AJL	SHEET: PW5

2100 SERIES PICTURE

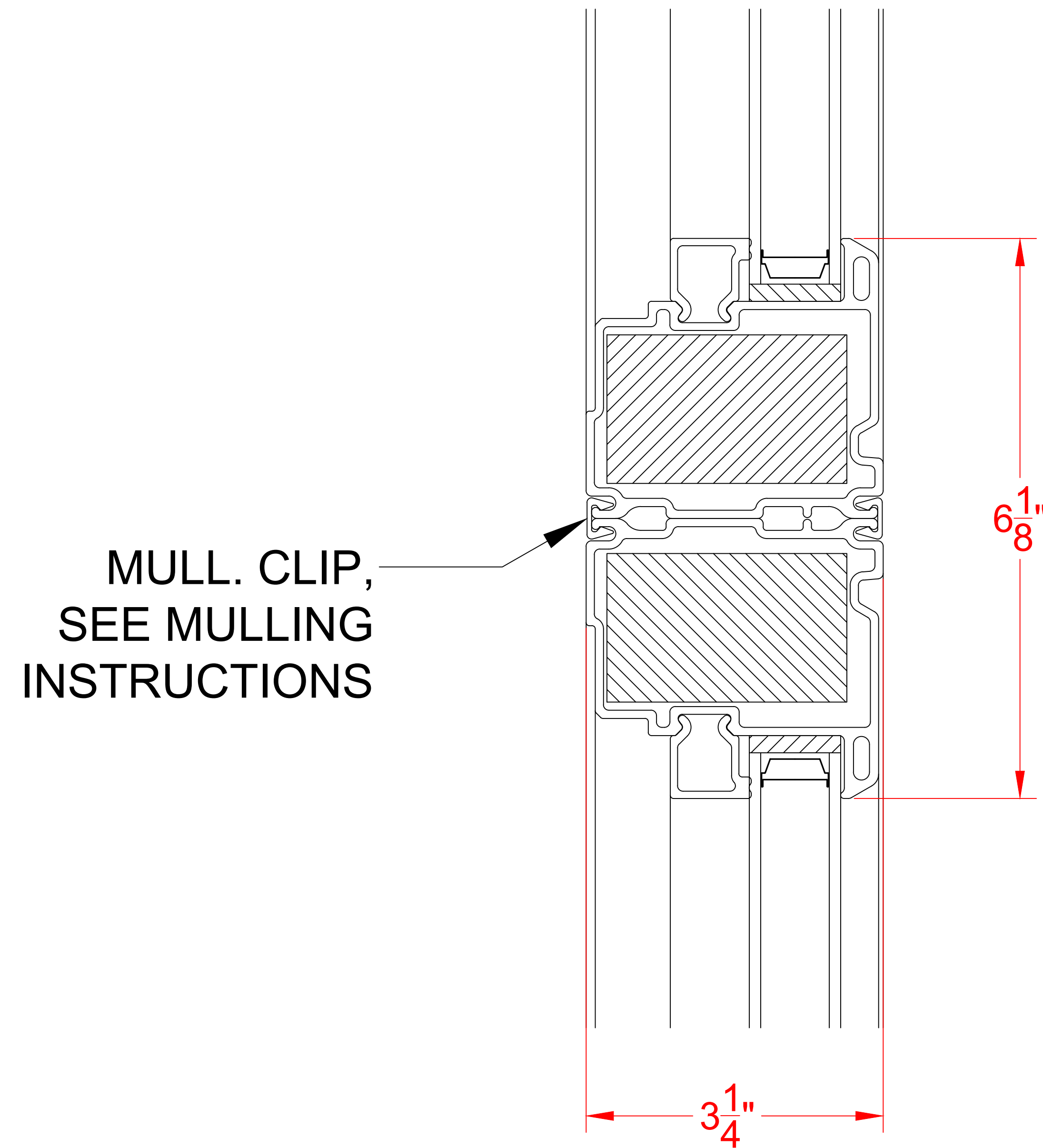
(MULLING DETAIL)

MULLING OPTIONS INCLUDE:

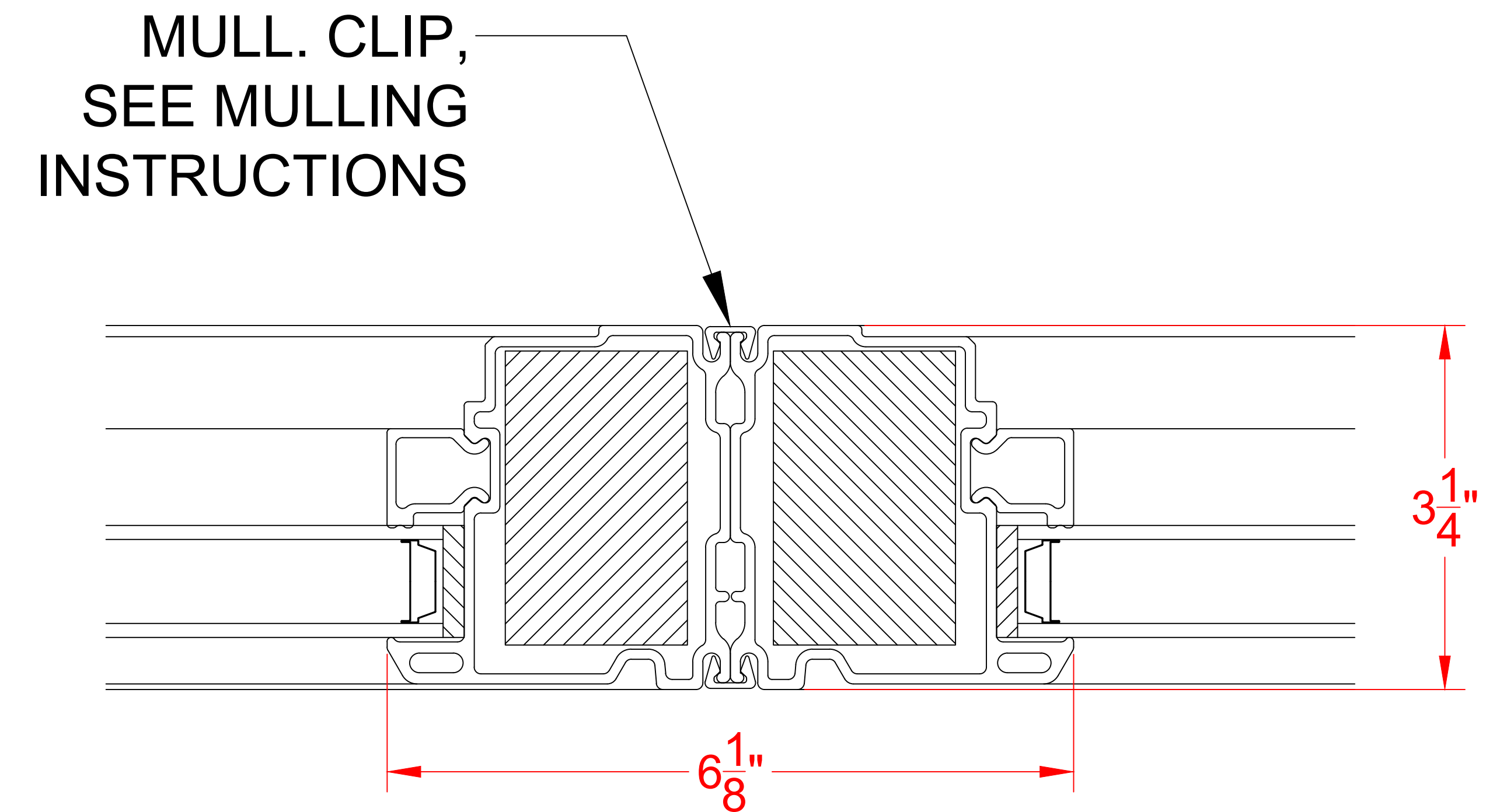
2100 SERIES

6500 SERIES

8000 SERIES




MULL. DETAIL - PICTURE / PICTURE - TYP.
HORIZONTAL MULLS



MULL. DETAIL - PICTURE / PICTURE - TYP.
VERTICAL MULLS

SEE PRODUCT SPECIFICATIONS PAGE FOR COMPLETE PRODUCT DESCRIPTION.

SERIES/CONFIGURATION: 2100 SERIES PICTURE WINDOW		 FiberFrame™ Comfort Line® <small>FIBERGLASS WINDOWS, PATIO DOORS, SUNROOMS & STOREFRONT</small>	COMFORT LINE LTD. 5500 ENTERPRISE BLVD. TOLEDO, OH 43612 419-729-8520	
DRAWING TYPE: MULLING SECTION DETAIL			THIS DRAWING IS THE PROPERTY OF COMFORT LINE LTD. DESIGN CONCEPTS AND INFORMATION MAY NOT BE REPRODUCED USED OR DISCLOSED WITHOUT THE WRITTEN PERMISSION OF COMFORT LINE LTD.	
		SCALE: 1' - 0" = 1' - 0"	PROJECT: 2100 PICTURE	
		DATE: 2/13/17	QUOTE: ####	SHEET: PW6
DATE	REVISION	BY	DRAWN BY: AJL	