

# STRAP ANCHOR

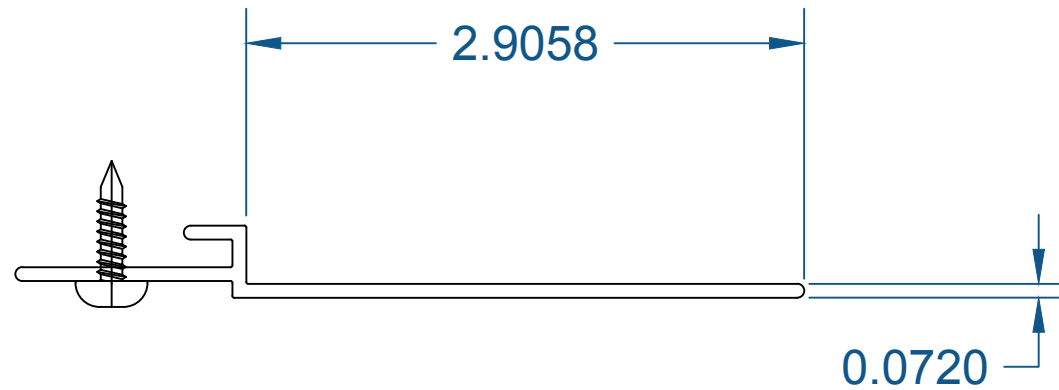
(ACCESSORY PROFILE)

## COMPATIBLE WINDOW OPTIONS:

2100 SERIES WINDOWS

6500 SERIES WINDOWS

8000 SERIES WINDOWS




STRAP ANCHOR

PART #: A085103\_06

MATERIAL: ALUMINUM

SEE PRODUCT SPECIFICATIONS PAGE FOR COMPLETE PRODUCT DESCRIPTION.

SERIES/CONFIGURATION: STRAP ANCHOR			 <p>COMFORT LINE LTD. 5500 ENTERPRISE BLVD. TOLEDO, OH 43612 419-729-8520</p>
DRAWING TYPE: ACCESSORY PROFILE			
			THIS DRAWING IS THE PROPERTY OF COMFORT LINE LTD. DESIGN CONCEPTS AND INFORMATION MAY NOT BE REPRODUCED USED OR DISCLOSED WITHOUT THE WRITTEN PERMISSION OF COMFORT LINE LTD.
			PROJECT: STRAP ANCHOR
			SCALE: 1' - 0" = 1' - 0"
			DATE: 2/13/17
DATE	REVISION	BY	DRAWN BY: AJL
			QUOTE: #### SHEET: AC1

# RIGID NAIL FIN

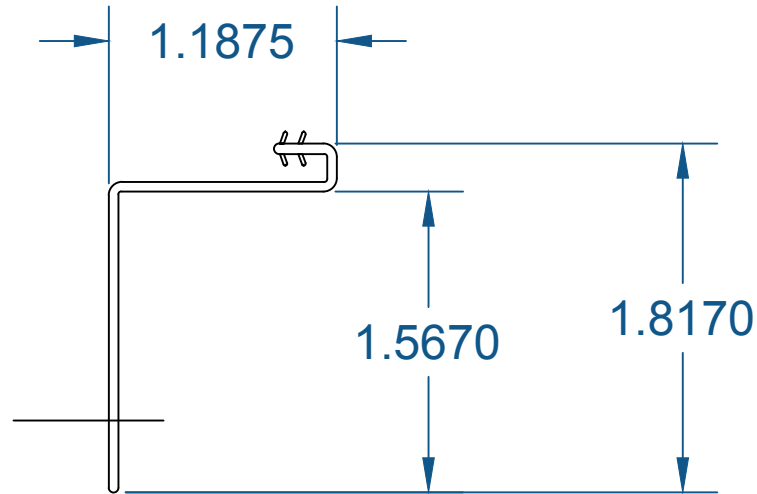
(ACCESSORY PROFILE)

## COMPATIBLE WINDOW OPTIONS:

2100 SERIES WINDOWS


6500 SERIES WINDOWS

8000 SERIES WINDOWS



RIGID NAIL FIN  
PART #: 471\_02  
MATERIAL: VINYL

SEE PRODUCT SPECIFICATIONS PAGE FOR COMPLETE PRODUCT DESCRIPTION.

SERIES/CONFIGURATION: RIGID NAIL FIN			 <p>COMFORT LINE LTD. 5500 ENTERPRISE BLVD. TOLEDO, OH 43612 419-729-8520</p>
DRAWING TYPE: ACCESSORY PROFILE			
			THIS DRAWING IS THE PROPERTY OF COMFORT LINE LTD. DESIGN CONCEPTS AND INFORMATION MAY NOT BE REPRODUCED USED OR DISCLOSED WITHOUT THE WRITTEN PERMISSION OF COMFORT LINE LTD.
			PROJECT: RIGID NAIL FIN
			SCALE: 1' - 0" = 1' - 0"
			DATE: 2/13/17
DATE	REVISION	BY	DRAWN BY: AJL
			QUOTE: ####
			SHEET: AC2

# Z - CLIP (STRAP ANCHOR)

(ACCESSORY PROFILE)

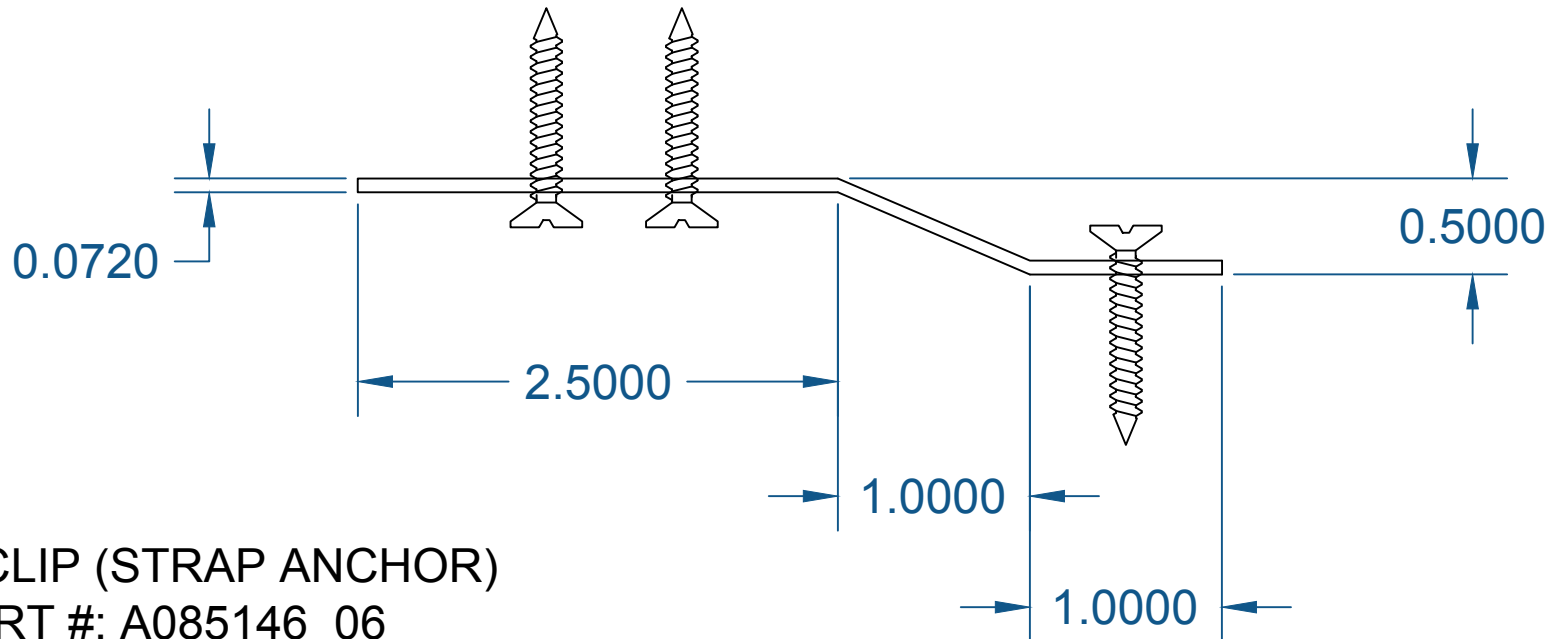
## COMPATIBLE WINDOW OPTIONS:

2100 SERIES WINDOWS

6500 SERIES WINDOWS

8000 SERIES WINDOWS

3000 SERIES STOREFRONT




Z-CLIP (STRAP ANCHOR)

PART #: A085146\_06

MATERIAL: ALUMINUM

SEE PRODUCT SPECIFICATIONS PAGE FOR COMPLETE PRODUCT DESCRIPTION.

SERIES/CONFIGURATION: Z - CLIP (STRAP ANCHOR)		 COMFORT LINE LTD. 5500 ENTERPRISE BLVD. TOLEDO, OH 43612 419-729-8520
DRAWING TYPE: ACCESSORY PROFILE		
THIS DRAWING IS THE PROPERTY OF COMFORT LINE LTD. DESIGN CONCEPTS AND INFORMATION MAY NOT BE REPRODUCED USED OR DISCLOSED WITHOUT THE WRITTEN PERMISSION OF COMFORT LINE LTD.		
		PROJECT: Z - CLIP (STRAP ANCHOR)
		SCALE: 1' - 0" = 1' - 0"
		DATE: 2/13/17
DATE	REVISION	BY: AJL
		QUOTE: ####
		SHEET: AC3

# Z - CLIP (ANGLE)

(ACCESSORY PROFILE)

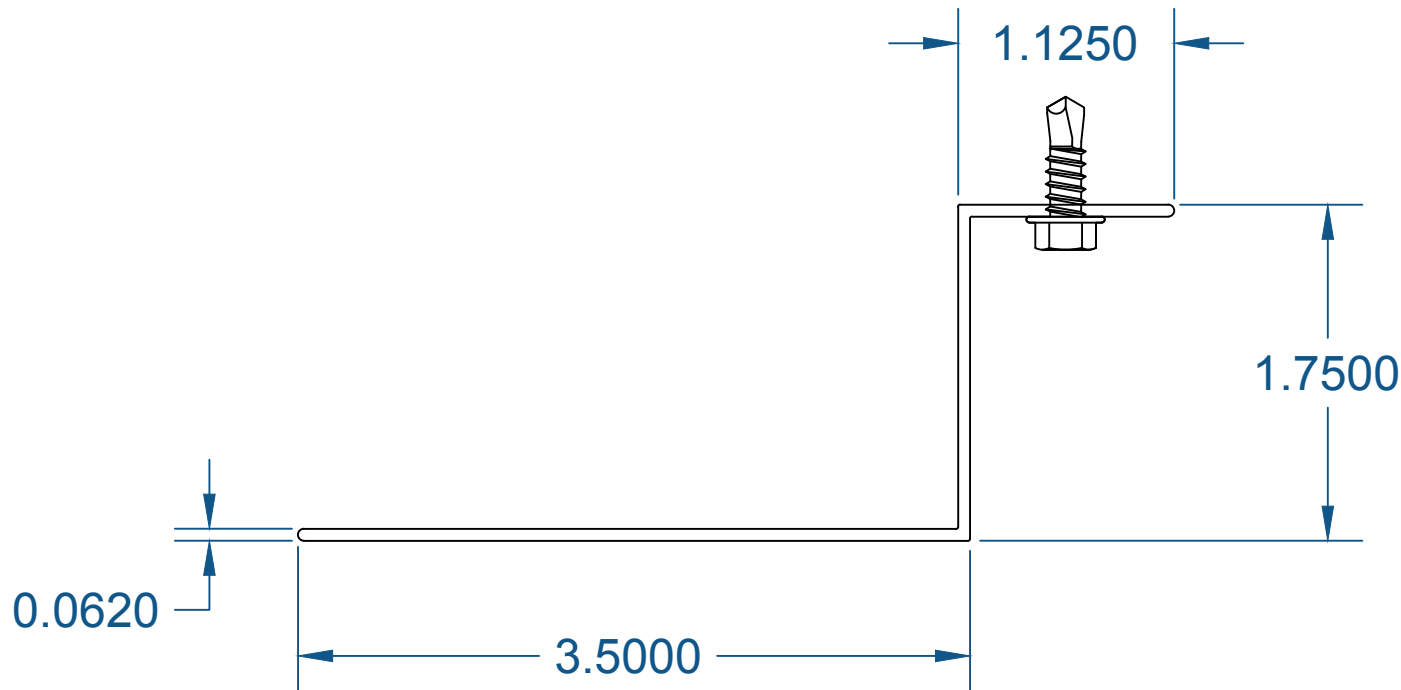
## COMPATIBLE WINDOW OPTIONS:

2100 SERIES WINDOWS

6500 SERIES WINDOWS

8000 SERIES WINDOWS

3000 SERIES STOREFRONT




Z-CLIP (ANGLE)

PART #: A085106\_06

MATERIAL: ALUMINUM

SEE PRODUCT SPECIFICATIONS PAGE FOR COMPLETE PRODUCT DESCRIPTION.

SERIES/CONFIGURATION: Z - CLIP (ANGLE)		 COMFORT LINE LTD. 5500 ENTERPRISE BLVD. TOLEDO, OH 43612 419-729-8520
DRAWING TYPE: ACCESSORY PROFILE		
THIS DRAWING IS THE PROPERTY OF COMFORT LINE LTD. DESIGN CONCEPTS AND INFORMATION MAY NOT BE REPRODUCED USED OR DISCLOSED WITHOUT THE WRITTEN PERMISSION OF COMFORT LINE LTD.		
		PROJECT: Z - CLIP (ANGLE)
		SCALE: 1' - 0" = 1' - 0"
		DATE: 2/13/17
DATE	REVISION	BY: AJL
		QUOTE: ####
		SHEET: AC4

# 3/4" x 1-1/2" TRIM & CLIP

(ACCESSORY PROFILE)

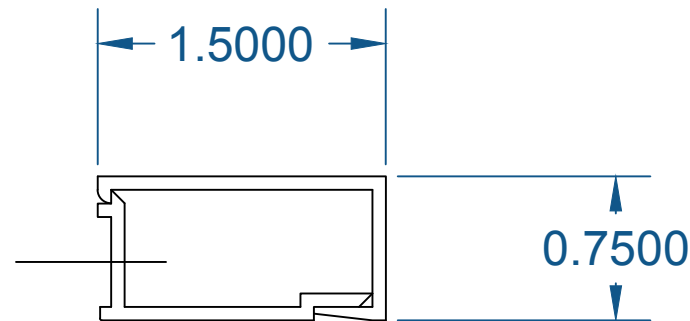
## COMPATIBLE WINDOW OPTIONS:

2100 SERIES WINDOWS

6500 SERIES WINDOWS

8000 SERIES WINDOWS


3000 SERIES STOREFRONT



3/4" x 1-1/2" TRIM & CLIP

PART #: A085101\_06 & A085102\_06

MATERIAL: ALUMINUM

SERIES/CONFIGURATION: 3/4" x 1-1/2" TRIM & CLIP		 <b>FiberFrame™</b> Comfort Line® <small>FIBERGLASS WINDOWS, PATIO DOORS, SUNROOMS &amp; STOREFRONT</small>	COMFORT LINE LTD. 5500 ENTERPRISE BLVD. TOLEDO, OH 43612 419-729-8520	
DRAWING TYPE: ACCESSORY PROFILE			THIS DRAWING IS THE PROPERTY OF COMFORT LINE LTD. DESIGN CONCEPTS AND INFORMATION MAY NOT BE REPRODUCED USED OR DISCLOSED WITHOUT THE WRITTEN PERMISSION OF COMFORT LINE LTD.	
			PROJECT:	3/4" x 1-1/2" TRIM & CLIP
		SCALE:	1' - 0" = 1' - 0"	
		DATE:	2/13/17	
DATE	REVISION	BY	QUOTE:	####
		DRAWN BY:		SHEET: AC5

SEE PRODUCT SPECIFICATIONS PAGE FOR COMPLETE PRODUCT DESCRIPTION.

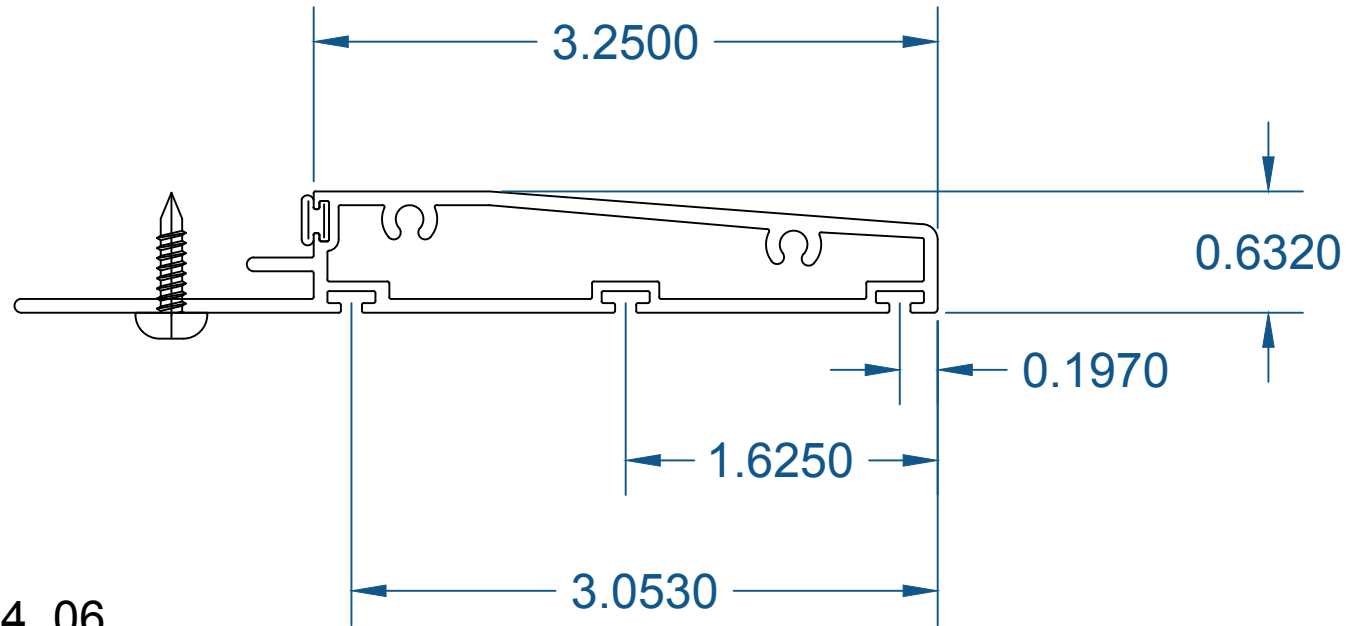
# 3-1/4" PANNING

(ACCESSORY PROFILE)

COMPATIBLE WINDOW OPTIONS:

2100 SERIES WINDOWS

6500 SERIES WINDOWS




3-1/4" PANNING

PART #: A085104\_06

MATERIAL: ALUMINUM

SEE PRODUCT SPECIFICATIONS PAGE FOR COMPLETE PRODUCT DESCRIPTION.

SERIES/CONFIGURATION: 3-1/4" PANNING		 <b>FiberFrame™</b> Comfort Line® <small>FIBERGLASS WINDOWS, PATIO DOORS, SUNROOMS &amp; STOREFRONT</small>	COMFORT LINE LTD. 5500 ENTERPRISE BLVD. TOLEDO, OH 43612 419-729-8520	
DRAWING TYPE: ACCESSORY PROFILE			THIS DRAWING IS THE PROPERTY OF COMFORT LINE LTD. DESIGN CONCEPTS AND INFORMATION MAY NOT BE REPRODUCED USED OR DISCLOSED WITHOUT THE WRITTEN PERMISSION OF COMFORT LINE LTD.	
		PROJECT: 3-1/4" PANNING		
		SCALE: 1' - 0" = 1' - 0"		
		DATE: 2/13/17		
		QUOTE: ####		
DATE	REVISION	BY	DRAWN BY: AJL	SHEET: AC6

# 2-1/4" PANNING

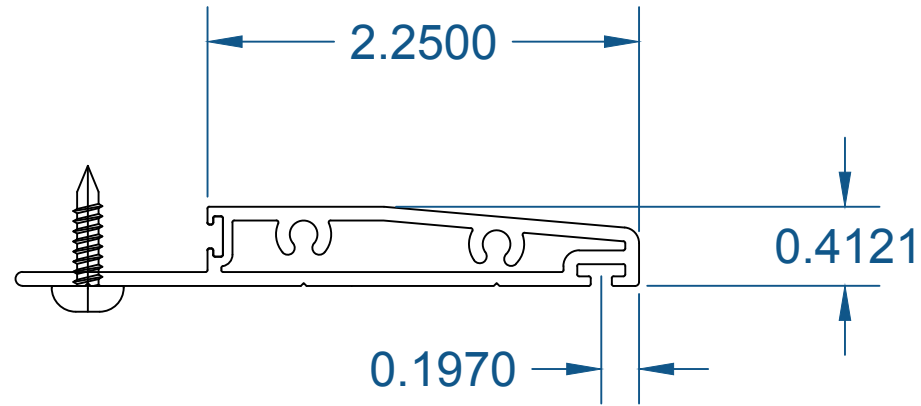
(ACCESSORY PROFILE)

## COMPATIBLE WINDOW OPTIONS:

2100 SERIES WINDOWS

6500 SERIES WINDOWS

8000 SERIES WINDOWS




2-1/4" PANNING

PART #: A085117\_06

MATERIAL: ALUMINUM

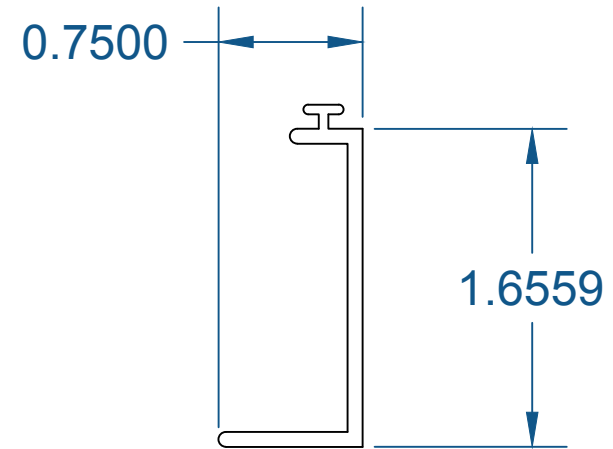
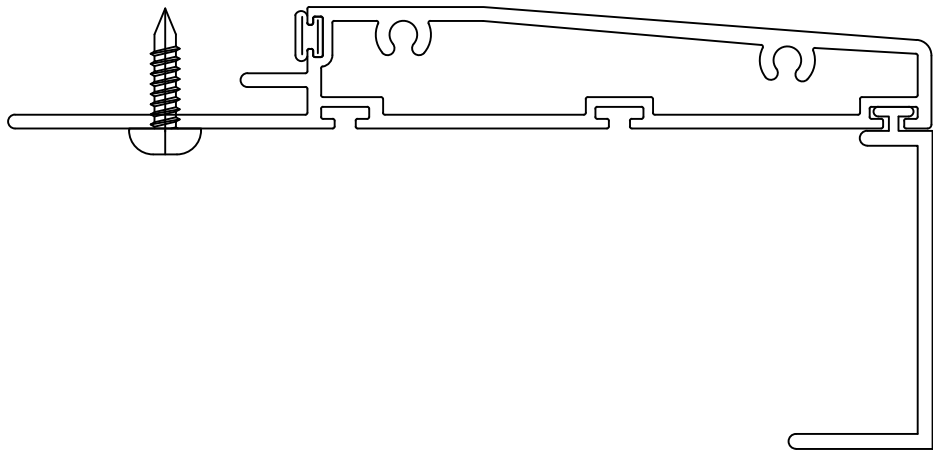
SEE PRODUCT SPECIFICATIONS PAGE FOR COMPLETE PRODUCT DESCRIPTION.

SERIES/CONFIGURATION: 2-1/4" PANNING			 <p>COMFORT LINE LTD. 5500 ENTERPRISE BLVD. TOLEDO, OH 43612 419-729-8520</p>
DRAWING TYPE: ACCESSORY PROFILE			
			THIS DRAWING IS THE PROPERTY OF COMFORT LINE LTD. DESIGN CONCEPTS AND INFORMATION MAY NOT BE REPRODUCED USED OR DISCLOSED WITHOUT THE WRITTEN PERMISSION OF COMFORT LINE LTD.
			PROJECT: 2-1/4" PANNING
			SCALE: 1' - 0" = 1' - 0"
			DATE: 2/13/17
DATE	REVISION	BY	DRAWN BY: AJL
			QUOTE: ####
			SHEET: AC7

# PANNING SILL EXTENSION


(ACCESSORY PROFILE)

ATTACHED TO PANNING



PANNING SILL EXTENSION  
 PART #: A085108\_06  
 MATERIAL: ALUMINUM

SEE PRODUCT SPECIFICATIONS PAGE FOR COMPLETE PRODUCT DESCRIPTION.

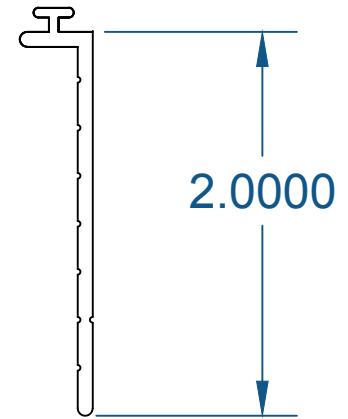
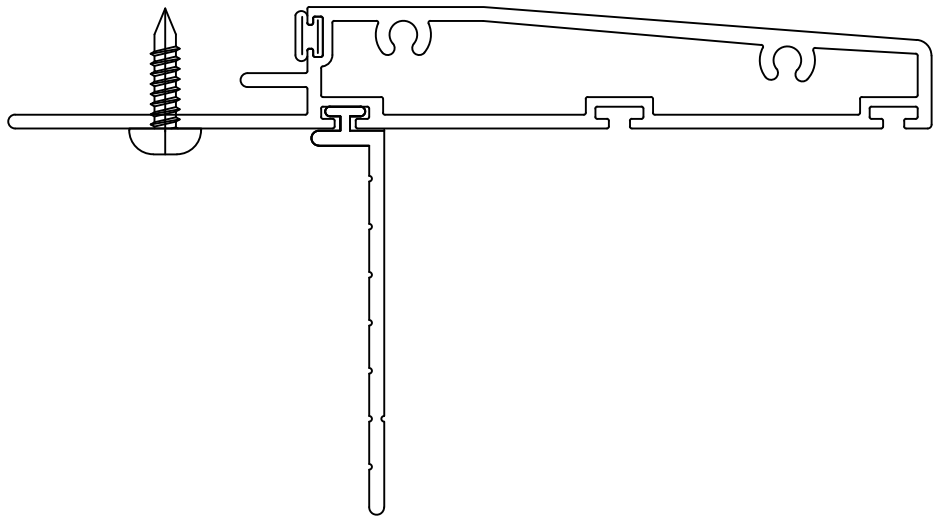
SERIES/CONFIGURATION: PANNING SILL EXTENSION			 COMFORT LINE LTD. 5500 ENTERPRISE BLVD. TOLEDO, OH 43612 419-729-8520
DRAWING TYPE: ACCESSORY PROFILE			
			THIS DRAWING IS THE PROPERTY OF COMFORT LINE LTD. DESIGN CONCEPTS AND INFORMATION MAY NOT BE REPRODUCED USED OR DISCLOSED WITHOUT THE WRITTEN PERMISSION OF COMFORT LINE LTD.
			PROJECT: PANNING SILL EXTENSION
			SCALE: 1' - 0" = 1' - 0"
			DATE: 2/13/17
DATE	REVISION	BY	DRAWN BY: AJL
			QUOTE: ####
			SHEET: AC8



# PANNING NAIL FLANGE/SILL EXTENDER

(ACCESSORY PROFILE)

ATTACHED TO PANNING




PANNING NAIL FLANGE/SILL EXTENDER

PART #: A085107\_06

MATERIAL: ALUMINUM

SEE PRODUCT SPECIFICATIONS PAGE FOR COMPLETE PRODUCT DESCRIPTION.

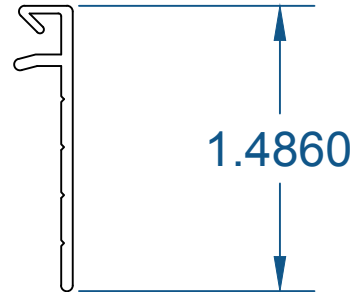
SERIES/CONFIGURATION: PANNING NAIL FLANGE/ SILL EXTENDER			 COMFORT LINE LTD. 5500 ENTERPRISE BLVD. TOLEDO, OH 43612 419-729-8520
DRAWING TYPE: ACCESSORY PROFILE			
			THIS DRAWING IS THE PROPERTY OF COMFORT LINE LTD. DESIGN CONCEPTS AND INFORMATION MAY NOT BE REPRODUCED USED OR DISCLOSED WITHOUT THE WRITTEN PERMISSION OF COMFORT LINE LTD.
			PROJECT: PANNING NAIL FLANGE/SILL EXTENDER
			SCALE: 1' - 0" = 1' - 0"
			DATE: 2/13/17
DATE	REVISION	BY	DRAWN BY: AJL
			QUOTE: ####
			SHEET: AC9

# HEAD/SILL/JAMB EXPANDER

(ACCESSORY PROFILE)

## COMPATIBLE WINDOW OPTIONS:

2100 SERIES WINDOWS  
6500 SERIES WINDOWS  
8000 SERIES WINDOWS




HEAD/SILL/JAMB EXPANDER

PART #: 815\_02

MATERIAL: VINYL

SEE PRODUCT SPECIFICATIONS PAGE FOR COMPLETE PRODUCT DESCRIPTION.

SERIES/CONFIGURATION: HEAD/SILL/JAMB EXPANDER		 <p>COMFORT LINE LTD. 5500 ENTERPRISE BLVD. TOLEDO, OH 43612 419-729-8520</p>
DRAWING TYPE: ACCESSORY PROFILE		
		THIS DRAWING IS THE PROPERTY OF COMFORT LINE LTD. DESIGN CONCEPTS AND INFORMATION MAY NOT BE REPRODUCED USED OR DISCLOSED WITHOUT THE WRITTEN PERMISSION OF COMFORT LINE LTD.
		PROJECT: HEAD/SILL/JAMB EXPANDER
		SCALE: 1' - 0" = 1' - 0"
		DATE: 2/13/17
DATE	REVISION	BY
		DRAWN BY: AJL
		QUOTE: ####
		SHEET: AC10