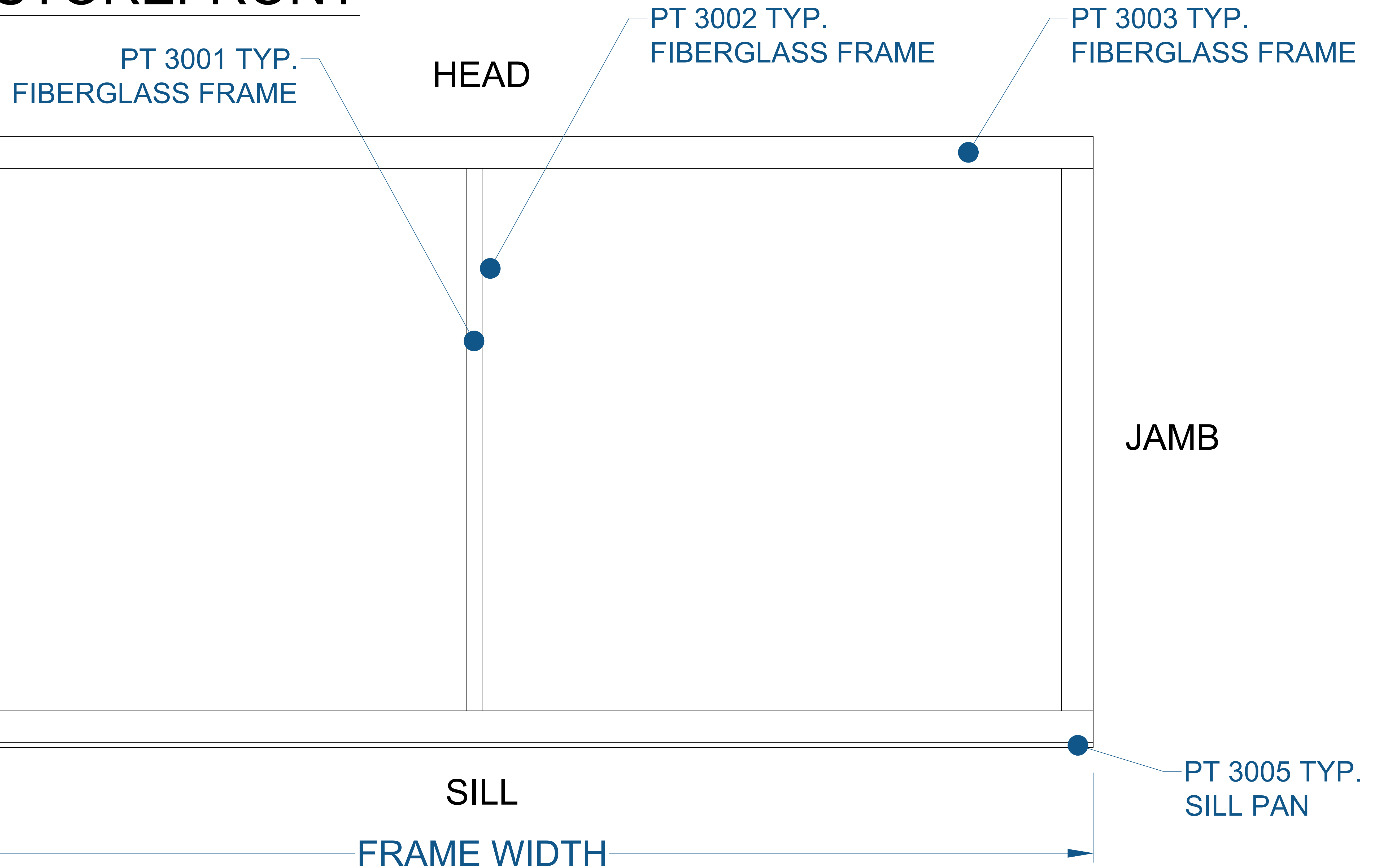



3000 SERIES STOREFRONT

(ELEVATION DRAWING)



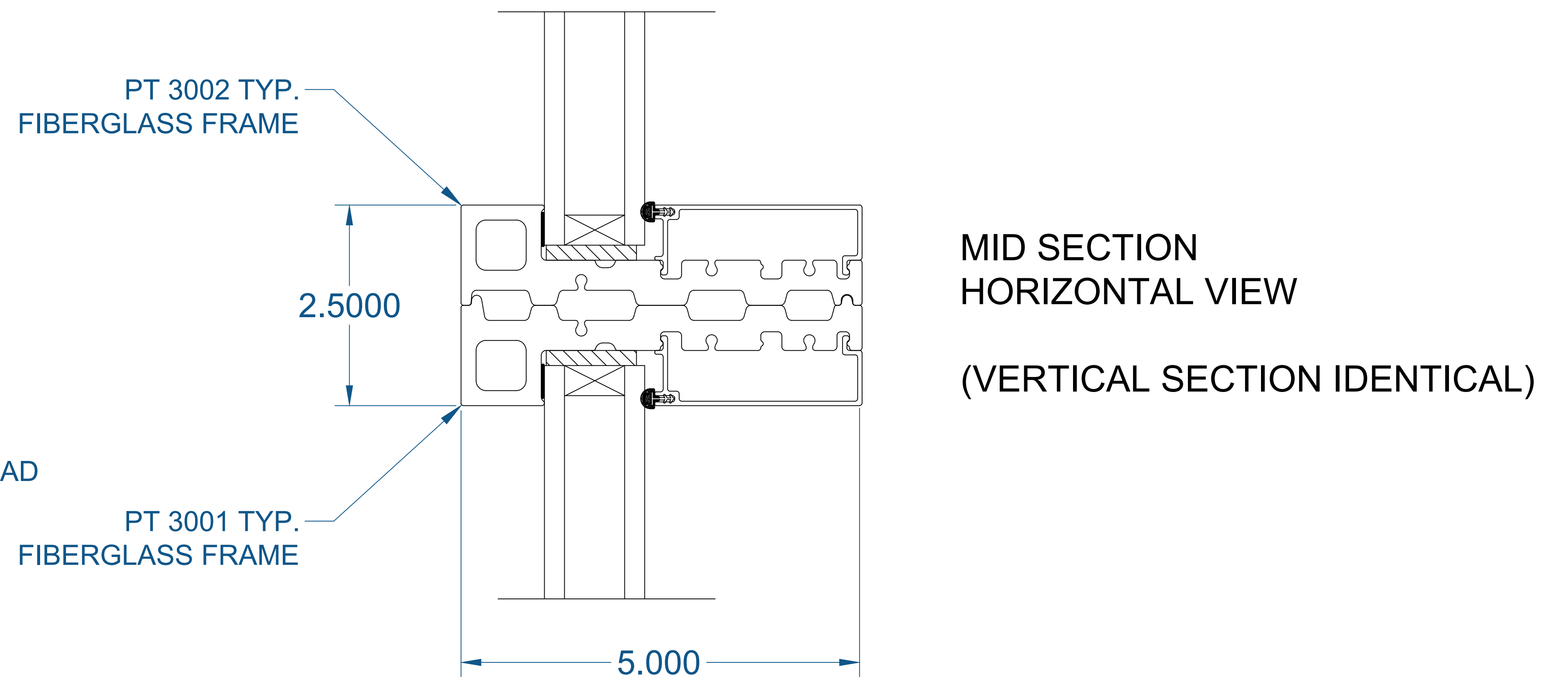
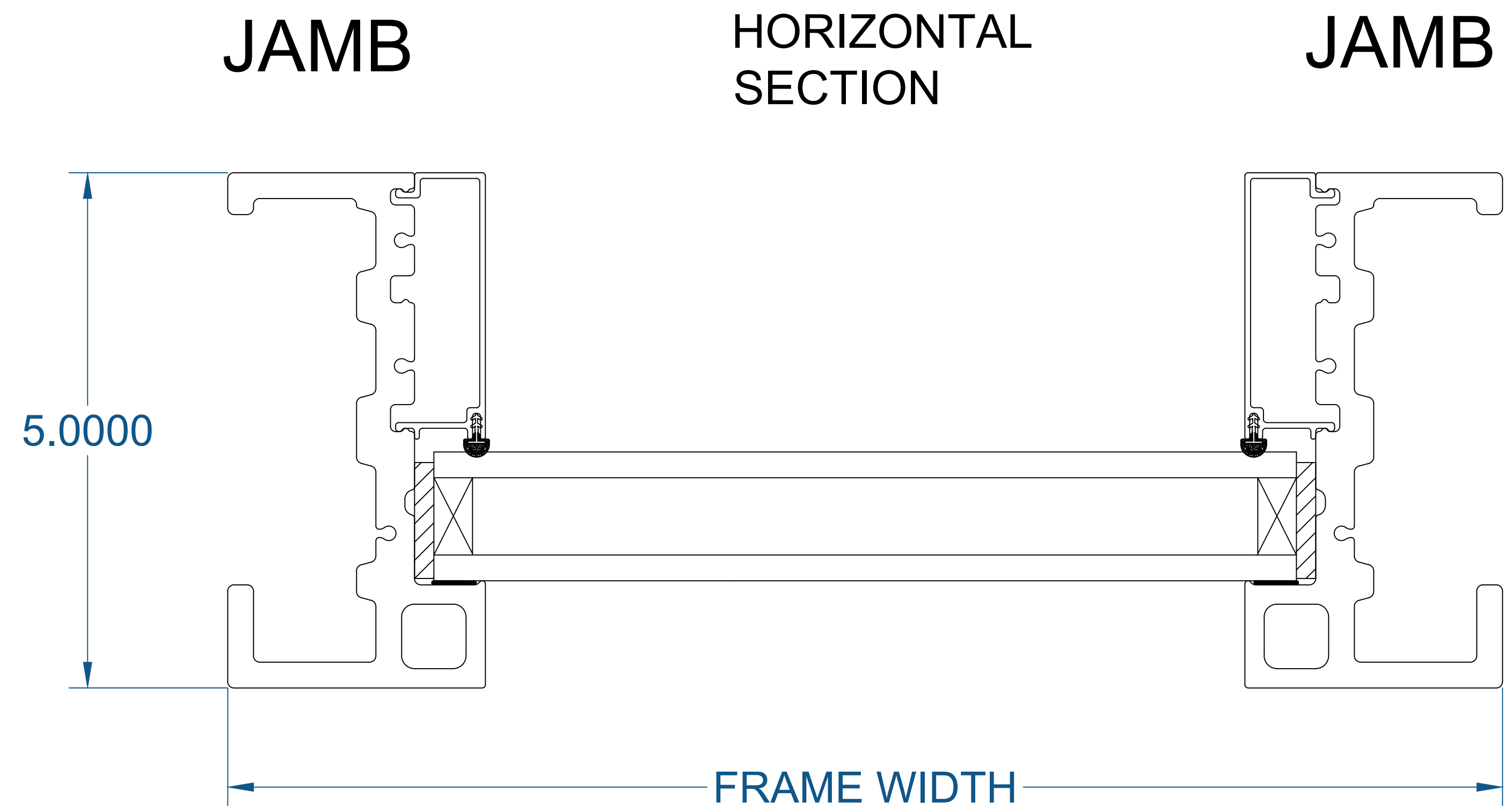
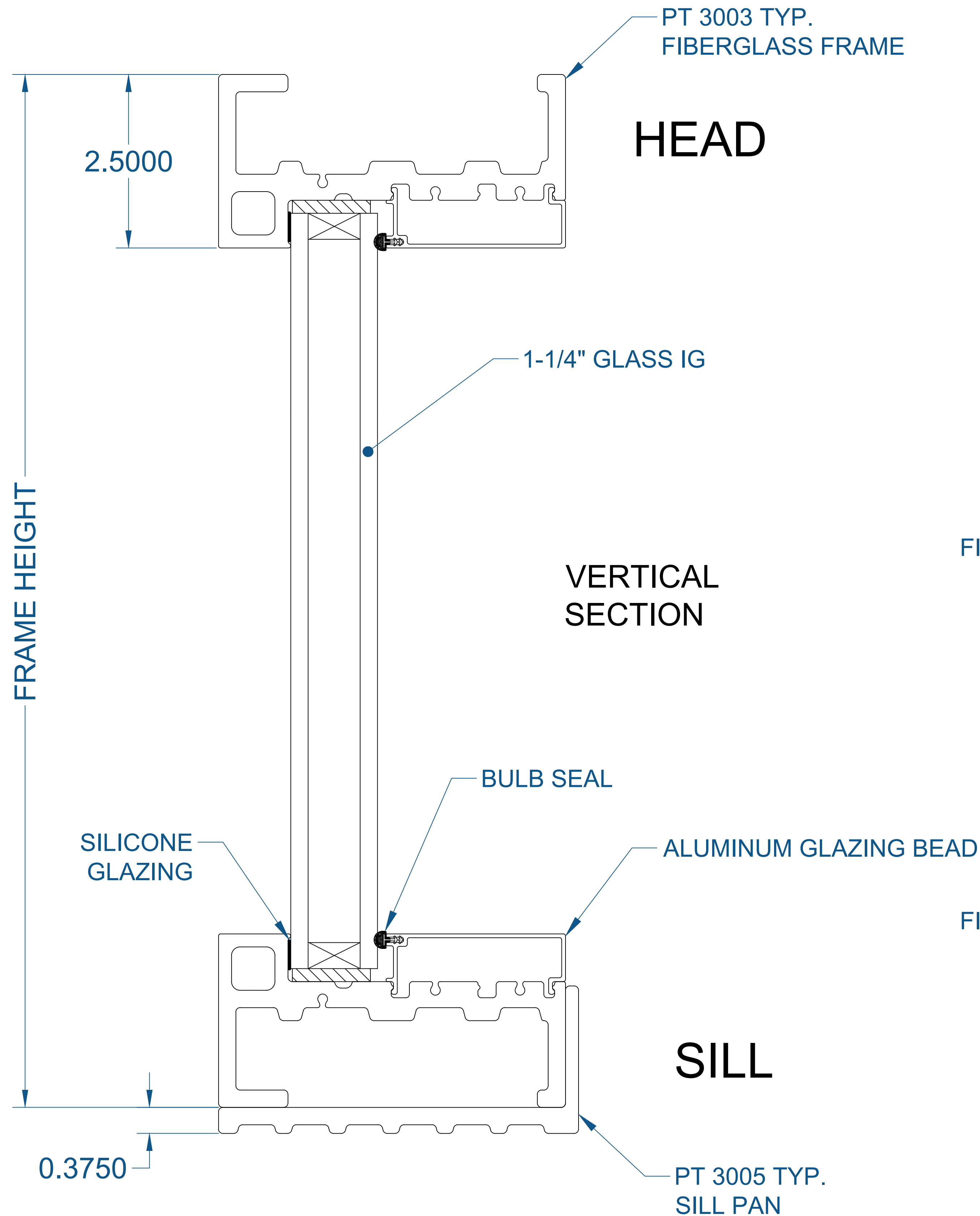
NOTE: ELEVATION VIEWED FROM THE OUTSIDE LOOKING IN.

SEE PRODUCT SPECIFICATIONS PAGE FOR COMPLETE PRODUCT DESCRIPTION.


SERIES/CONFIGURATION: 3000 SERIES STOREFRONT		 FiberFrame™ Comfort Line® <small>FIBERGLASS WINDOWS, PATIO DOORS, SUNROOMS & STOREFRONT</small>	COMFORT LINE LTD. 5500 ENTERPRISE BLVD. TOLEDO, OH 43612 419-729-8520	
DRAWING TYPE: ELEVATION DRAWING			THIS DRAWING IS THE PROPERTY OF COMFORT LINE LTD. DESIGN CONCEPTS AND INFORMATION MAY NOT BE REPRODUCED USED OR DISCLOSED WITHOUT THE WRITTEN PERMISSION OF COMFORT LINE LTD.	
		SCALE: 6" = 1' - 0"	PROJECT: 3000 STOREFRONT	
		DATE: 2/13/17	QUOTE: ####	SHEET: SF1
DATE	REVISION	BY	DRAWN BY: AJL	

3000 SERIES STOREFRONT

(SECTION PROFILE)

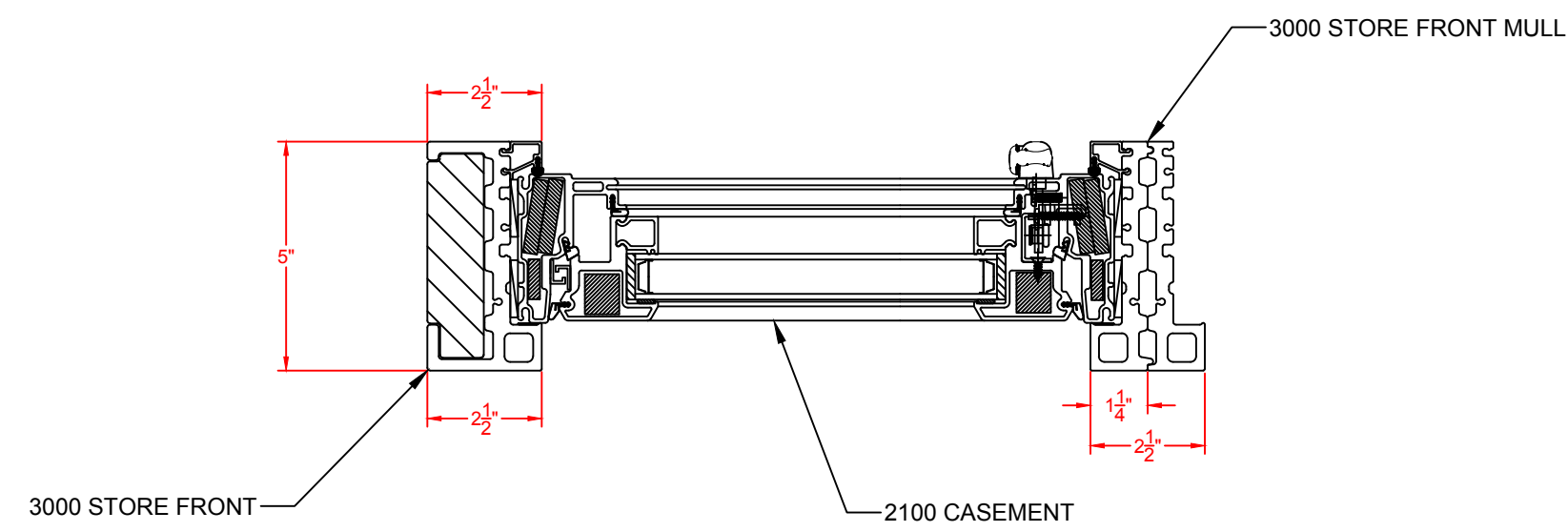


SEE PRODUCT SPECIFICATIONS PAGE FOR COMPLETE PRODUCT DESCRIPTION.

SERIES/CONFIGURATION: 3000 SERIES STOREFRONT		 FiberFrame™ Comfort Line® <small>FIBERGLASS WINDOWS, PATIO DOORS, SUNROOMS & STOREFRONT</small>	COMFORT LINE LTD. 5500 ENTERPRISE BLVD. TOLEDO, OH 43612 419-729-8520	
DRAWING TYPE: DETAIL WINDOW PROFILES			THIS DRAWING IS THE PROPERTY OF COMFORT LINE LTD. DESIGN CONCEPTS AND INFORMATION MAY NOT BE REPRODUCED USED OR DISCLOSED WITHOUT THE WRITTEN PERMISSION OF COMFORT LINE LTD.	
		PROJECT: 3000 STOREFRONT		
		SCALE: 1' - 0" = 1' - 0"	QUOTE: ####	SHEET: SF2
DATE	REVISION	BY	DRAWN BY: AJL	

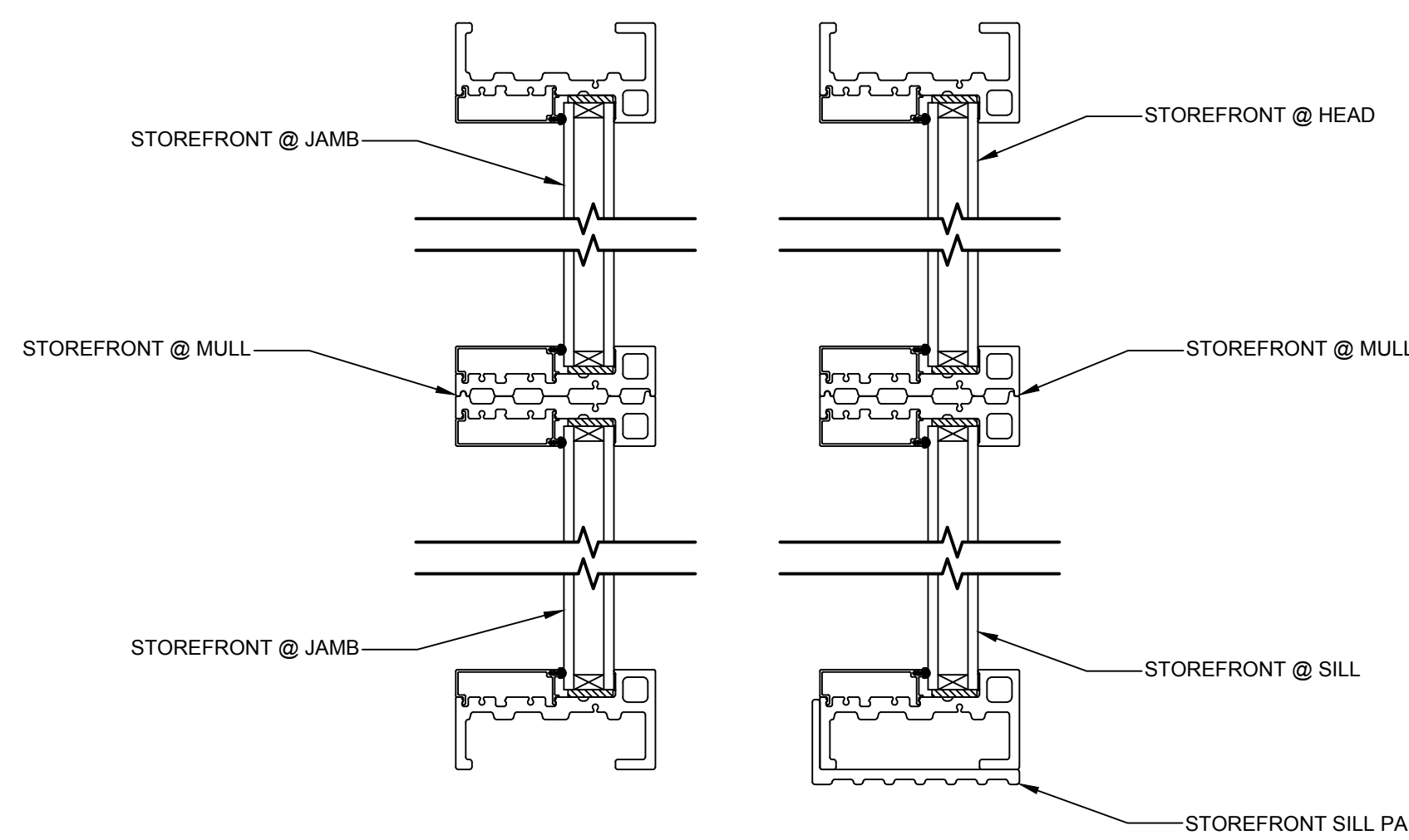
3000 SERIES STOREFRONT

(SERIES OVERVIEW)



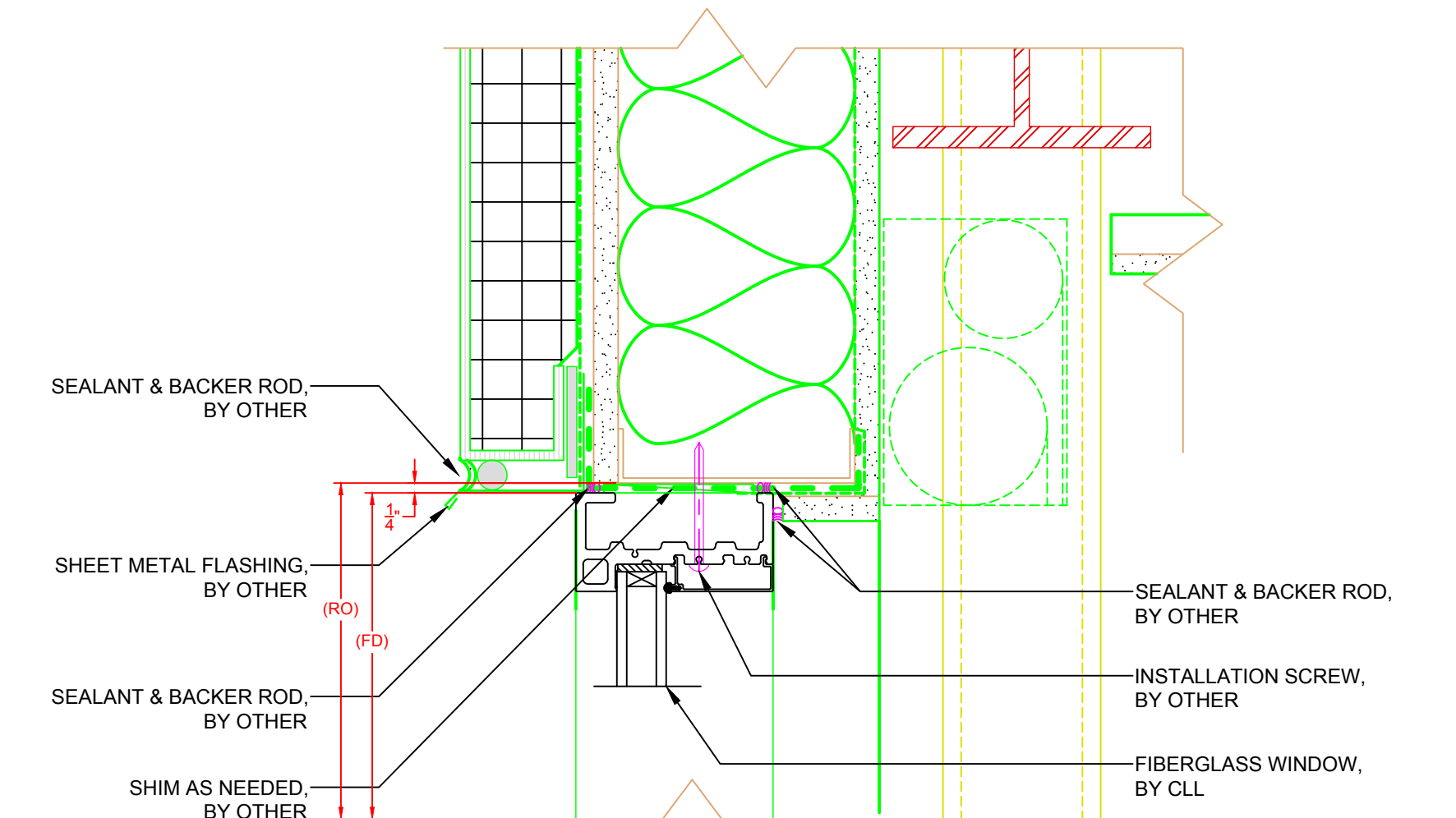
MULL. DETAIL - 3000 STOREFRONT SERIES MULL W/ 2100 CASEMENT WINDOW (BY CLL) - TYP.

#



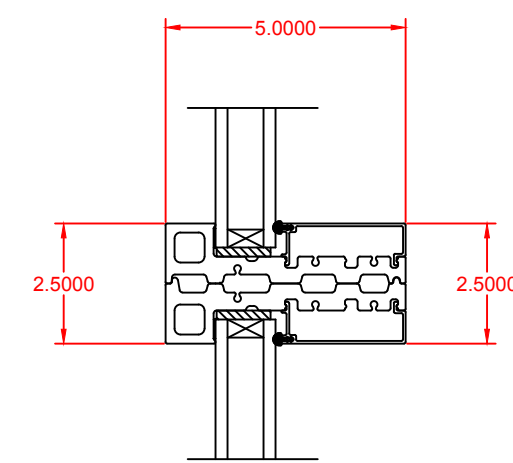
3000 SERIES STOREFRONT WINDOW PROFILE W/ SILL PAN (BY CLL)

#



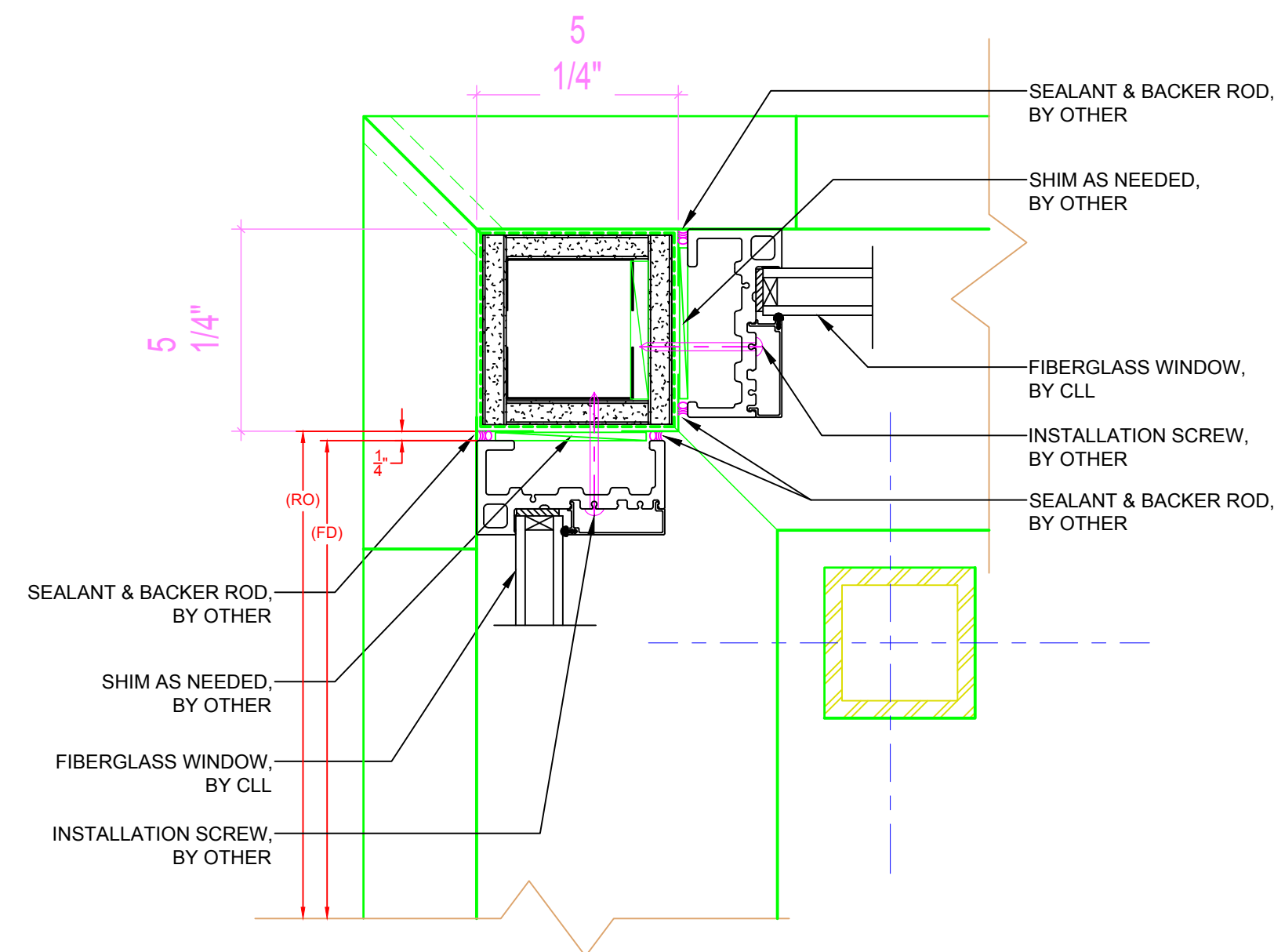
HEAD DETAIL - 3000 STOREFRONT (W/ INSTALL THROUGH FRAME) (JAMB SIMILAR @ WALL)

H1



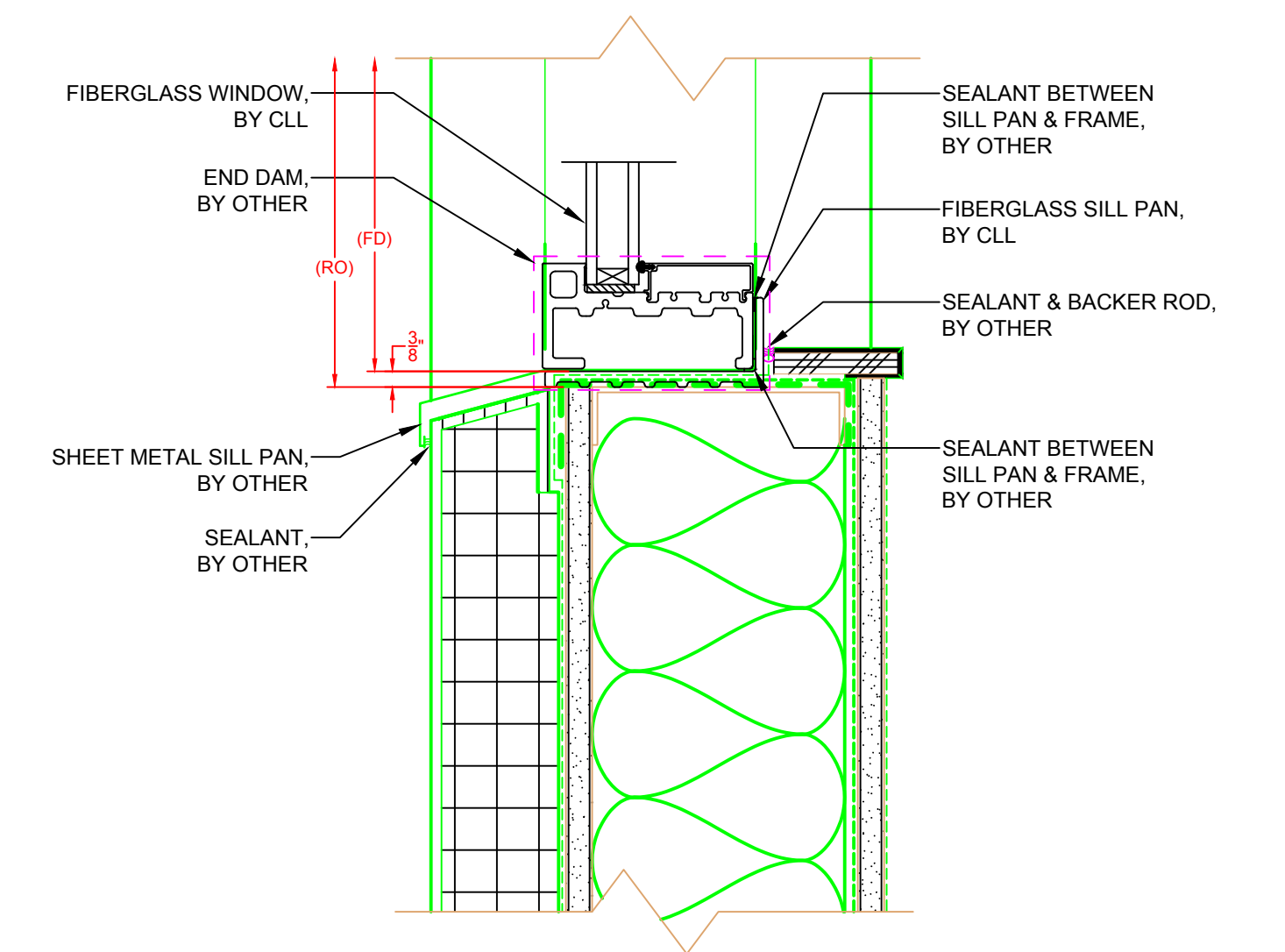
MULL. DETAIL - STOREFRONT MID SECTION - TYP. (HORIZONTAL & VERTICAL MULLS IDENTICAL)

M1



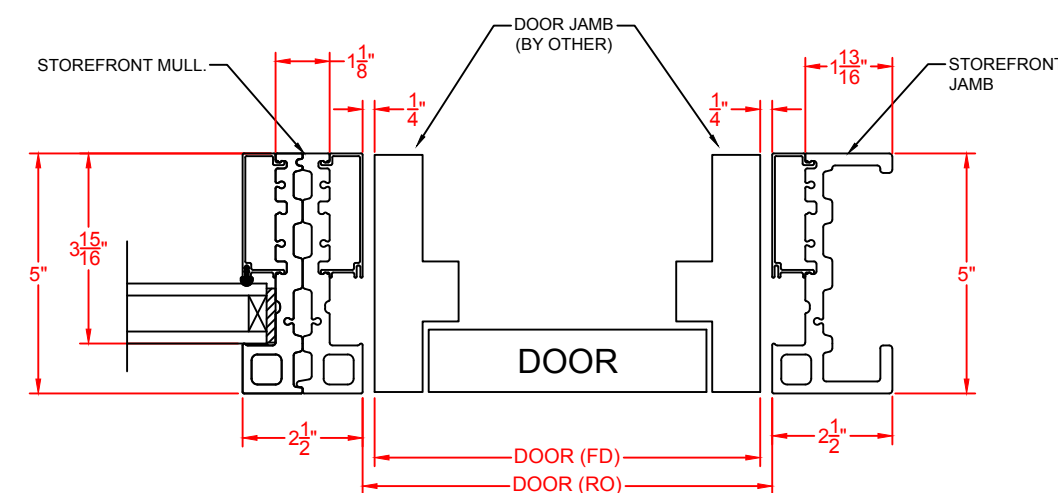
JAMB DETAIL - 3000 STOREFRONT @ CORNER POST (W/ INSTALL THROUGH FRAME)

J1



SILL DETAIL - 3000 STOREFRONT (W/ SILL PAN)

S1




MULL. DETAIL - 3000 STOREFRONT SERIES MULL W/ DOOR (BY OTHER) - TYP.

#

* NOTE:

- ALL DRAWINGS ARE FOR REFERENCE PURPOSES ONLY
- ACTUAL INSTALLATION, FASTENERS, ETC. MAY VARY
- AVB & SEALANT BY OTHER, PER LOCAL & INTERNATIONAL BUILDING CODES
- ALL INSTALLATION SCREWS GOING INTO R.O. ARE BY OTHER
- ALL SHIMS ARE BY OTHER

SEE PRODUCT SPECIFICATIONS PAGE FOR COMPLETE PRODUCT DESCRIPTION.

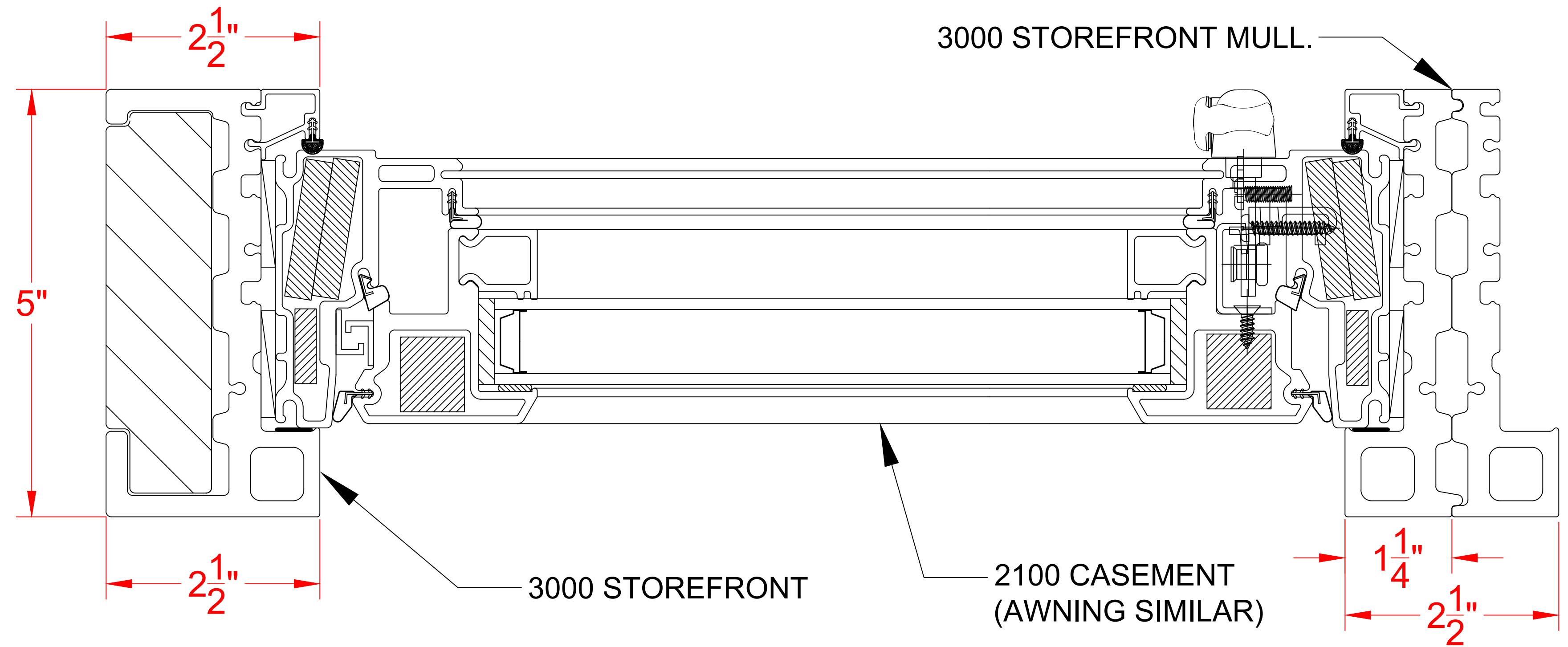
SERIES/CONFIGURATION: 3000 SERIES STOREFRONT		 COMFORT LINE LTD. 5500 ENTERPRISE BLVD. TOLEDO, OH 43612 419-729-8520		
DRAWING TYPE: DETAIL WINDOW PROFILES				
		THIS DRAWING IS THE PROPERTY OF COMFORT LINE LTD. DESIGN CONCEPTS AND INFORMATION MAY NOT BE REPRODUCED USED OR DISCLOSED WITHOUT THE WRITTEN PERMISSION OF COMFORT LINE LTD.		
		PROJECT: 3000 STOREFRONT		
		SCALE: 3" = 1' - 0"		
		DATE: 2/13/17		
		QUOTE: #####		
DATE	REVISION	BY	DRAWN BY: AJL	SHEET: SF3

3000 SERIES STOREFRONT

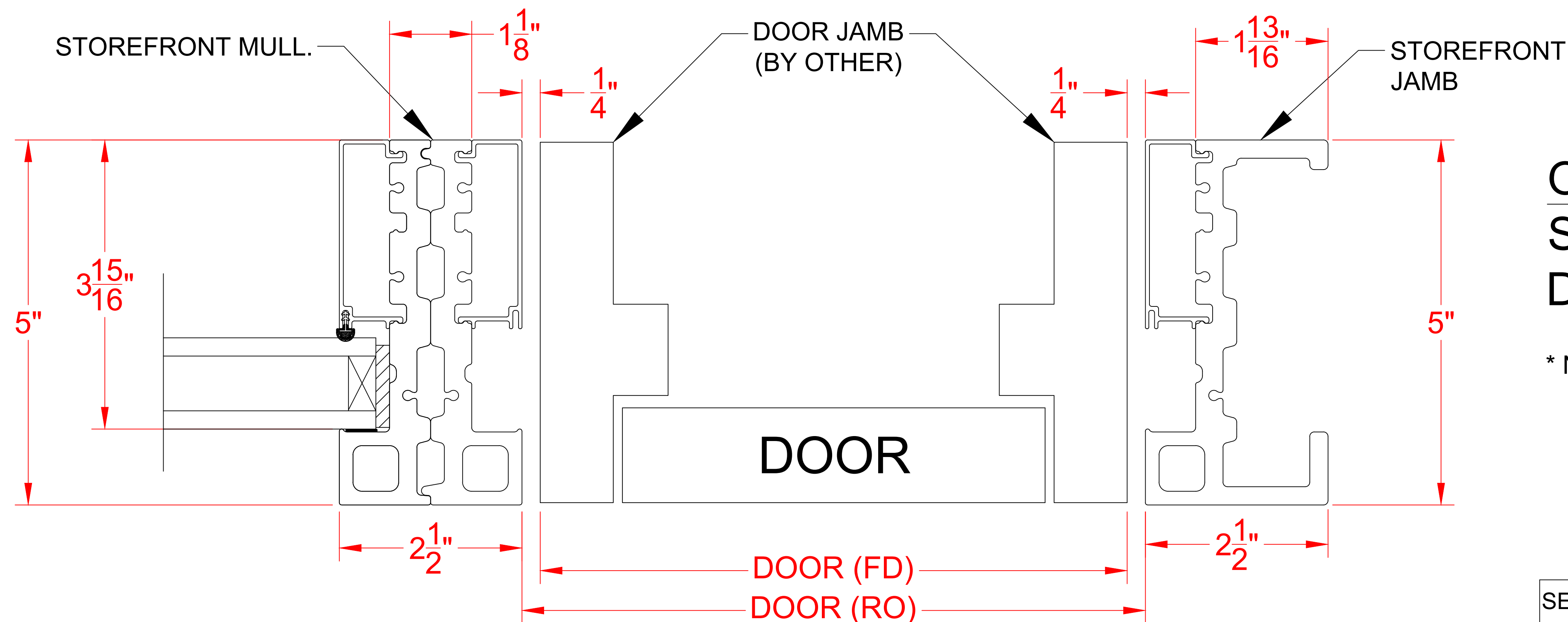
(OPERABLE WINDOW & DOOR OPTIONS)

OPERABLE WINDOW OPTIONS INCLUDE:

- 2100 SERIES AWNING
- 2100 SERIES CASEMENT



MULL. DETAIL - 3000 STOREFRONT SERIES MULL W/ 2100 CASEMENT WINDOW (BY CLL) - TYP.



MULL. DETAIL - 3000 STOREFRONT SERIES MULL W/ DOOR (BY OTHER) - TYP.


OPERABLE DOOR OPTIONS INCLUDE:

- SINGLE PANEL - (BY OTHER)
- DOUBLE PANEL - (BY OTHER)

* NOTE:

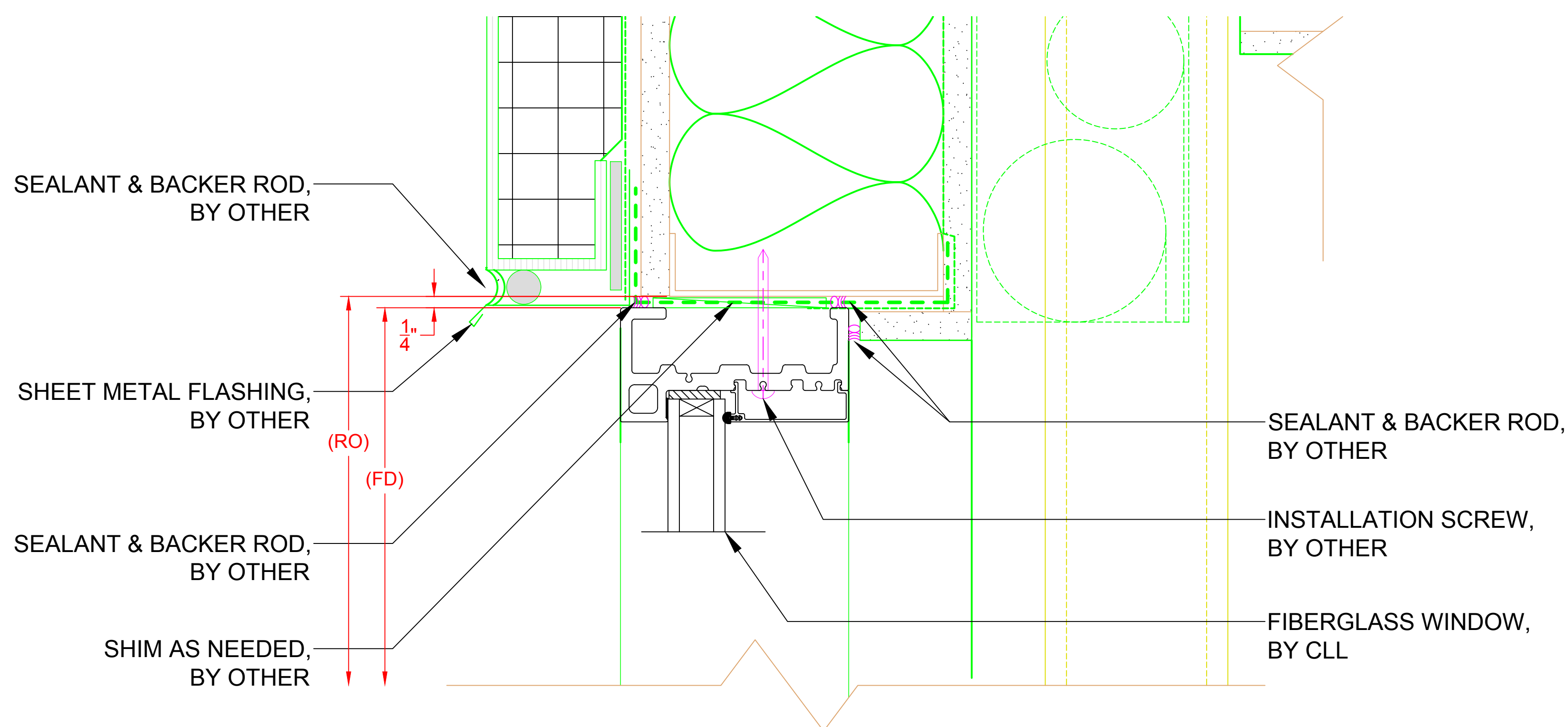
- ALL DRAWINGS ARE FOR REFERENCE PURPOSES ONLY
- ACTUAL INSTALLATION, FASTENERS, ETC. MAY VARY
- DOOR PANEL & FRAME SIZES MAY VARY
- ALL DOORS & DOOR FRAMES ARE SUPPLIED BY OTHER

SEE PRODUCT SPECIFICATIONS PAGE FOR COMPLETE PRODUCT DESCRIPTION.

SERIES/CONFIGURATION: 3000 SERIES STOREFRONT		 FiberFrame™ Comfort Line® <small>FIBERGLASS WINDOWS, PATIO DOORS, SUNROOMS & STOREFRONT</small>	COMFORT LINE LTD. 5500 ENTERPRISE BLVD. TOLEDO, OH 43612 419-729-8520	
DRAWING TYPE: PROFILE W/ EXAMPLE OF POSSIBLE WINDOW & DOOR INSTALL			THIS DRAWING IS THE PROPERTY OF COMFORT LINE LTD. DESIGN CONCEPTS AND INFORMATION MAY NOT BE REPRODUCED USED OR DISCLOSED WITHOUT THE WRITTEN PERMISSION OF COMFORT LINE LTD.	
		SCALE: 1' - 0" = 1' - 0"	PROJECT: 3000 STOREFRONT	
		DATE: 2/13/17	QUOTE: ####	SHEET: SF4
DATE	REVISION	BY	DRAWN BY: AJL	

3000 SERIES STOREFRONT

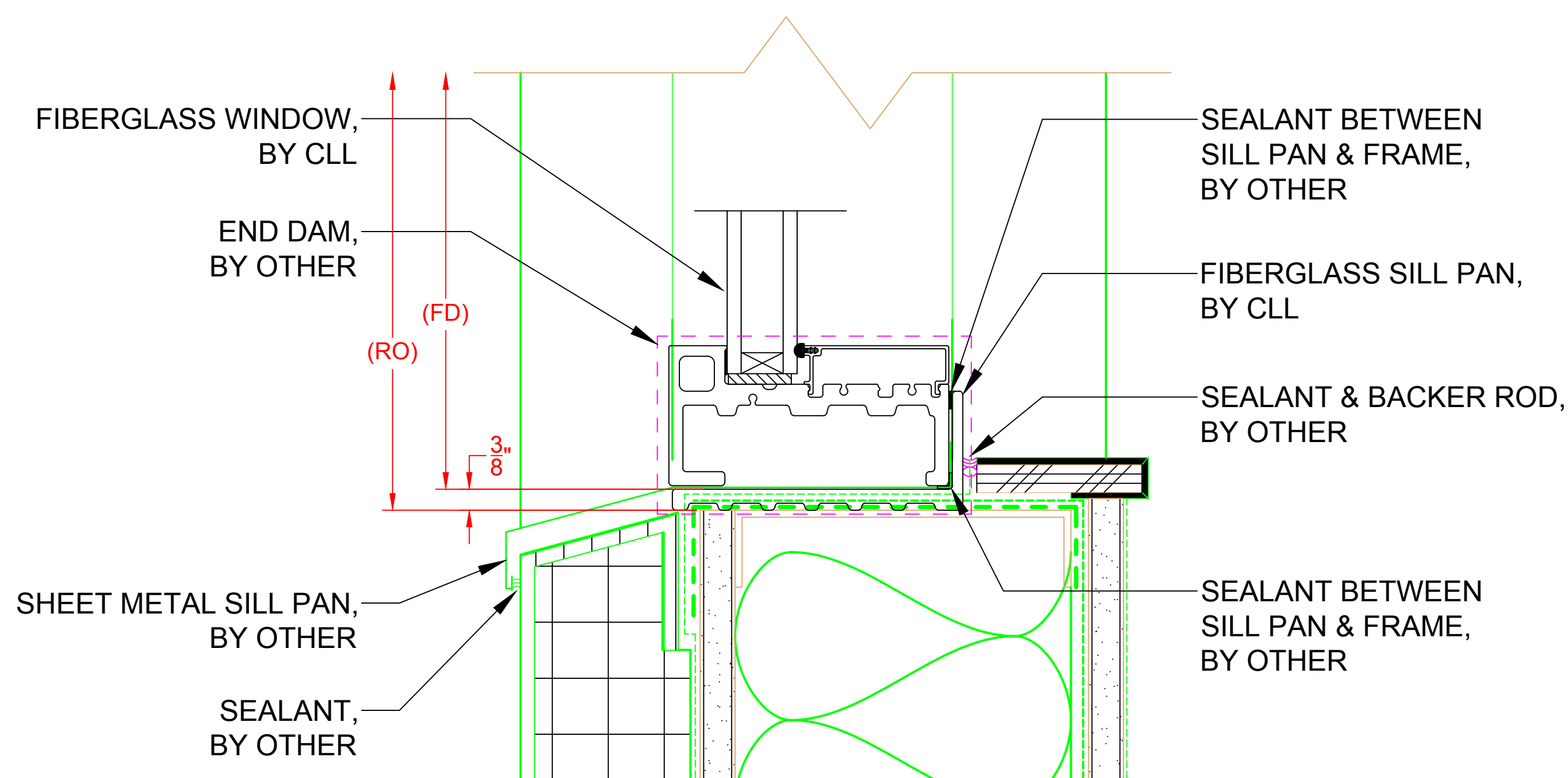
(INSTALLATION METHODS)



**HEAD DETAIL - 3000 STOREFRONT
(W/ INSTALL THROUGH FRAME)**

H1

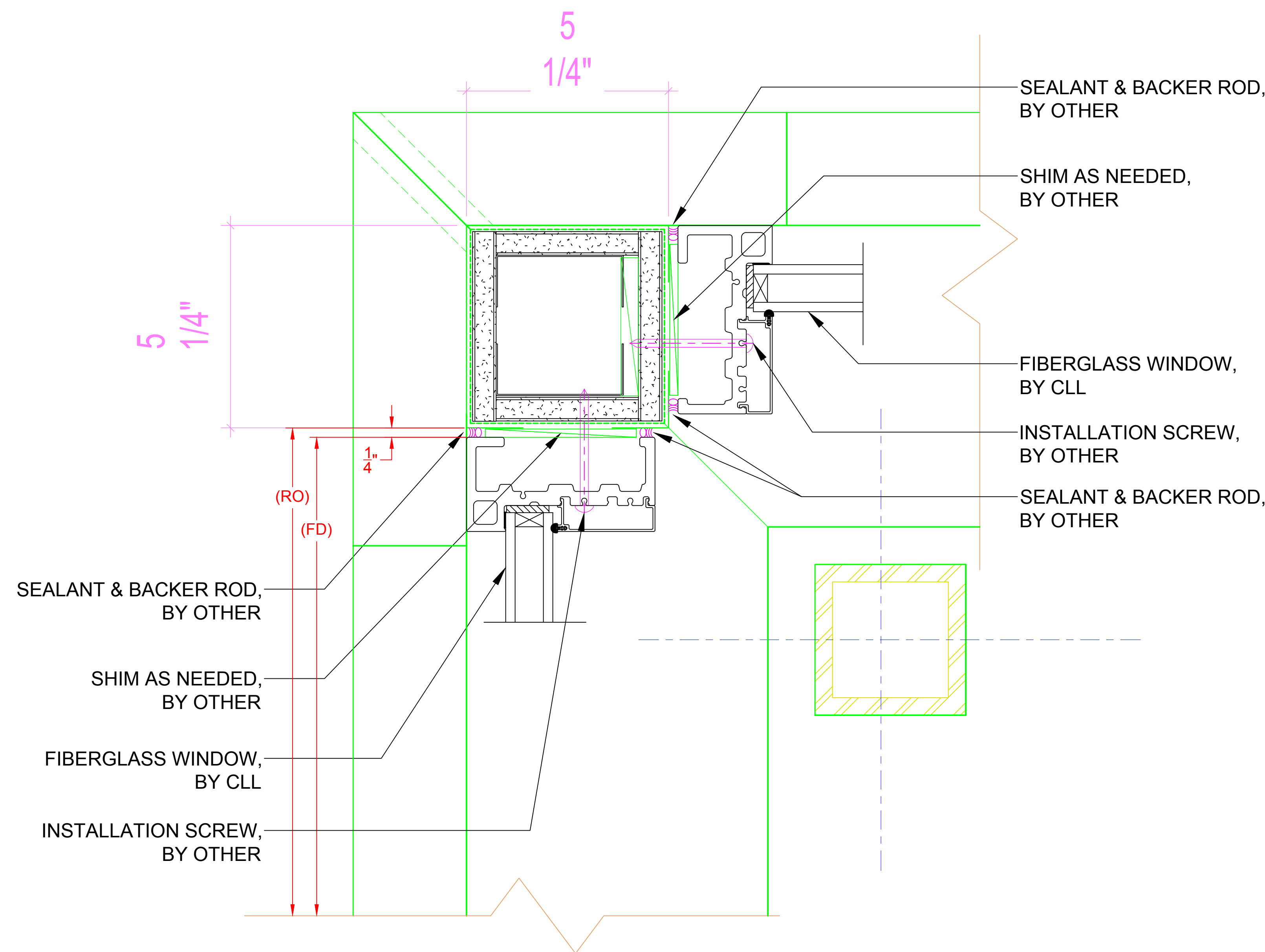
(JAMB SIMILAR @ WALL)



**SILL DETAIL - 3000 STOREFRONT
(W/ SILL PAN)**

S1

SEE PRODUCT SPECIFICATIONS PAGE FOR COMPLETE PRODUCT DESCRIPTION.




**JAMB DETAIL - 3000 STOREFRONT @ CORNER POST
(W/ INSTALL THROUGH FRAME)**

J1

* NOTE:

- ALL DRAWINGS ARE FOR REFERENCE PURPOSES ONLY
- ACTUAL INSTALLATION, FASTENERS, ETC. MAY VARY
- AVB & SEALANT BY OTHER, PER LOCAL & INTERNATIONAL BUILDING CODES
- ALL INSTALLATION SCREWS GOING INTO R.O. ARE BY OTHER
- ALL SHIMS ARE BY OTHER

SERIES/CONFIGURATION: 3000 SERIES STOREFRONT		 COMFORT LINE LTD. 5500 ENTERPRISE BLVD. TOLEDO, OH 43612 419-729-8520
DRAWING TYPE: INSTALLATION EXAMPLES		
THIS DRAWING IS THE PROPERTY OF COMFORT LINE LTD. DESIGN CONCEPTS AND INFORMATION MAY NOT BE REPRODUCED USED OR DISCLOSED WITHOUT THE WRITTEN PERMISSION OF COMFORT LINE LTD.		
PROJECT:		3000 STOREFRONT
SCALE:		6" = 1' - 0"
DATE:		2/13/17
DRAWN BY:		AJL
DATE	REVISION	BY
QUOTE:		####
SHEET:		SF5